



**Super-automatic coffee machines**

**S30**

**INDEX**

PRIMARY SPARE PARTS .....	3
KIT PPM S30 .....	4
S30 - GENERIC TABLE .....	6
HYDRAULIC CIRCUIT .....	10
CARROZZERIA .....	11
COACHWORK .....	13
CONTROL PANEL .....	15
SERVICE BOILER .....	17
COFFEE BOILER .....	19
STEAM DISPENSING NOZZLE .....	21
HOT WATER DISPENSING NOZZLE .....	23
TURBOSTEAM .....	25
VALVES GROUP .....	27
HYDRAULIC COMPONENTS .....	29
COFFEE CIRCUITS .....	31
STEAM CIRCUITS .....	33
MILK CIRCUITS .....	35

CHOCOLATE CIRCUITS .....	37
DELIVERY SPOUT .....	39
UPPER PISTON .....	41
LOWER PISTON .....	43
COFFEE GROUP .....	46
VOLUMETRIC PUMP .....	48
ELECTRICAL BOX/ELECTRIC COMPONENTS .....	50
ELECTRICAL BOX/ELECTRIC COMPONENTS .....	52
COFFEE-GRINDER/GRINDING SECTION .....	54
HOPPERS BASE .....	56
COFFEE HOPPERS .....	58
CHOCOLATE HOPPERS .....	60

Pos	Part Number	Description	Validity	Notes
-	531196500	CERAMIC THERMOSTAT 145°C		
-	402318000	OR SEAL 7.65X1.78 NBR		
-	530892410	STAR COUPLING GEARED MOTOR		
-	531196400	CERAMIC THERMOSTAT 140°C		
-	532024800	MICRO(6)A 250V		
-	533180700F	MILK PUMP		
-	533898000	DIVERTER VALVE 24V DC		
-	533900800	EV. 3-WAY ETV-SO2-F30-4FF-024/= - WITH S		
-	533902000	2-WAY SV ETV 125-A40-6FF-024		
-	533902500	2-WAY SOLENOID VALVE QUICK COUPLING		
-	533902600	2-WAY SOLENOID VALVE THREADED COUPLINGS		
-	533902710	3-WAY SOLENOID VALVE		
-	535535008	HOPPER RECEIVING BOARD		
-	535536018	PHOTOCELL TX		
-	946781000	RIGHT GRINDER ASSEMBLY WITH SP. PARTS		
-	946782000	LEFT GRINDER ASSEMBLY WITH SP. PARTS		
-	966171000	PRODUCT EXIT SLIDE		
-	966172000	PRODUCT SLIDE CLOSING		
-	966405010	MIXER OUTLET CONNECTOR		
-	981163000F	ASSIEME ADATTATORE QUICK-FIT D.3mm		
-	966423000	MILK SUCTION FILTER		
-	966429000	NOZZLE Diam. 0.6mm		
-	966430000	NOZZLE Diam. 0.35mm		
-	966432000	NOZZLE Diam. 0.6mm		
-	966519000	UNIFIED GEARED MOTOR		
-	966770000	BASE ASSEMBLY + CV MIXER MOTOR		
-	966840000	COMMAND PANEL ASSEMBLY WITH SP. PARTS		
-	966841000	BOILER ASSY S30		
-	966842000	BOILER ASSY S30		
-	966843010	GROUP S30 44		
-	966844010	GROUP S30 50		
-	966845010	TRIAC BOARD S30 SP.PART		
-	966846010	CPU BOARD ASS.		
-	966847000	SUPPLIER PACK. ASSY S30 SP. PARTS		
-	946278000	NOZZLE Diam. 0.8mm		
-	946279000	nozzle Diam. 1.25mm		
-	966431000	NOZZLE Diam. 1mm		
-	531197200	CERAMIC THERMOSTAT 140°C		
-	531197300	CERAMIC THERMOSTAT 145°C		
-	532025000	MICRO SWITCH 21A-250V	N:UL	

KIT "A" PPM S30

KIT "B" PPM S30

KIT "C" PPM S30

KIT "D" PPM S30

KIT "E" PPM S30

KIT "F" PPM S30

KIT "G" PPM S30

KIT "H" PPM S30

KIT "I" PPM S30

Pos	Part Number	Description	Validity	Notes
1	946820000	KIT "A" S30 44MM	G:D44	
1	946821000	KIT "A" S30 50MM	G:D50	
2	946822000	KIT "B" S30		
3	946823000	KIT "C" S30		
4	946824010	S30 /X30 MAINTENANCE "D" KIT		
4	946940000	X30 /S30 MAINTENANCE "D" KIT UL/NSF	N:NSF,N:UL	
5	946825000	KIT "E" S30 44mm	G:D44	
5	946834000	KIT "E"S30 44mm MICROFILTER	G:D44 MF	
5	946830000	KIT "E" S30 50mm	G:D50	
5	946835000	KIT "E" S30 50mm MICROFILTER	G:D50 MF	
6	946826000	KIT "F" S30		
7	946827000	KIT "G" S30		
8	946828000	KIT "H" S30		
9	946829000	KIT "I" S30		

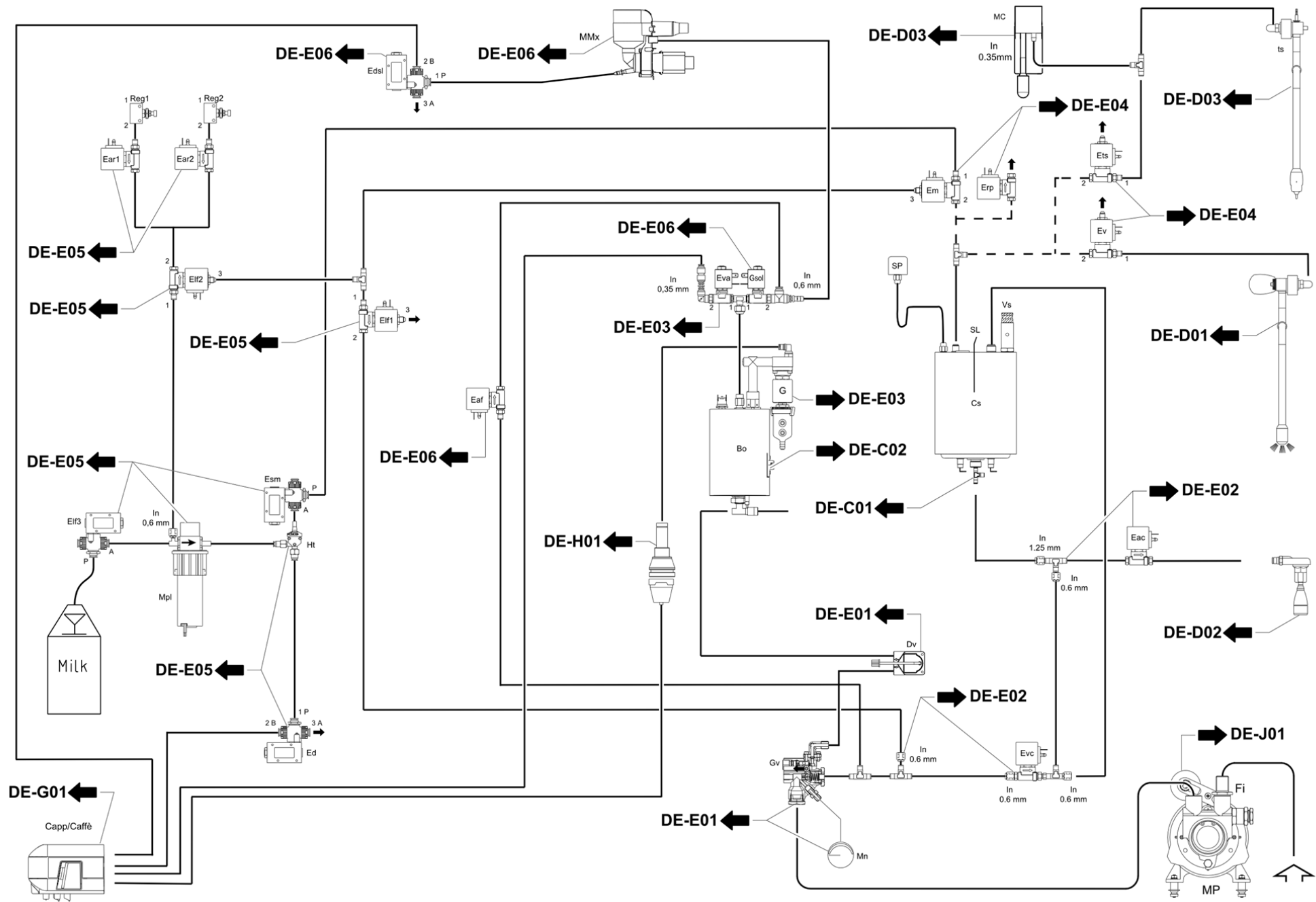
Pos	Part Number	Description	Validity	Notes
-	433145000	PIPE BRUSH D.35		
-	532024800	MICRO(6)A 250V		
	⇒ 532024400	MICRO 16(6)A 250V		
-	946812000	COFFEE MANUAL SPOUT ASSEMBLY		
-	966346000F	MIXER INJECTOR D. 0.5		
	⇒ 966406000	MIXER WATER COUPLING D.5 CV		
-	537043920	COFFEE SLUICE-VALVE		
	⇒ 966487000	PARATOIA GRUPPO PRODOTTO "S30"		
-	966843010	GROUP S30 44		
	⇒ 966843000	GROUP S30 44 SP. PARTS		
-	966844010	GROUP S30 50		
	⇒ 966844000	GROUP S30 50 SP. PARTS		
-	966149000	TUBO ASPIRAZIONE MIXER		
-	966295010	PANEL FIXING SCREW		
	⇒ 966295000	VITE FISSAGGIO PANNELLI		
-	966578000F	RH HOPPER SHUTTER		
	⇒ 966540000	MANIGLIA TRAMOGGIA DX COSTAMPATA		
-	966579000F	LH HOPPER SHUTTER		
	⇒ 966541000	MANIGLIA TRAMOGGIA SX COSTAMPATA		
-	934164000	MILK DELIVERY SPOUT GASKET		
-	940218000	COFFEE SPOUT TUBES SEAL		
-	946824010	S30 /X30 MAINTENANCE "D" KIT		
	⇒ 946824000	KIT "D" S30		
-	946278000	NOZZLE Diam. 0.8mm		
-	946279000	nozzle Diam. 1.25mm		
-	946840000	HYDRAULIC CIRCUIT UPDATE KIT		
-	533180700F	MILK PUMP		
	⇒ 533180700	MILK PUMP		
-	966431000	NOZZLE Diam. 1mm		
-	966433000	NOZZLE Diam. 0.8mm		
-	946047000	PALETTE INOX CONT.SOLUBILI CILINDRICO		
-	946842000	SERVICE KIT		
-	932014040	TILTER PLATE		
-	946268000	CLOTH S30 (25X25)		
-	966121020	UPPER LEFT PLASTIC FRAME		
-	966123020	UPPER REAR PLASTIC FRAME		
-	966843010	GROUP S30 44		
-	966844010	GROUP S30 50		
-	940224000	HOSE ADAPTOR FOR QUICK CONNECTION		
-	484021008	UNION		
-	946204000	REAR PLATE SUPPORT		
-	946206000	CHECK VALVE FOR CHAMBER CLOSURE PLATE		
-	946207010	ANGLE BRACKET FOR GROUP		
	⇒ 946207000	ANGLE BRACKET FOR GROUP		
-	946263000	BOTTOM COFFEE GROUP FASTENING		

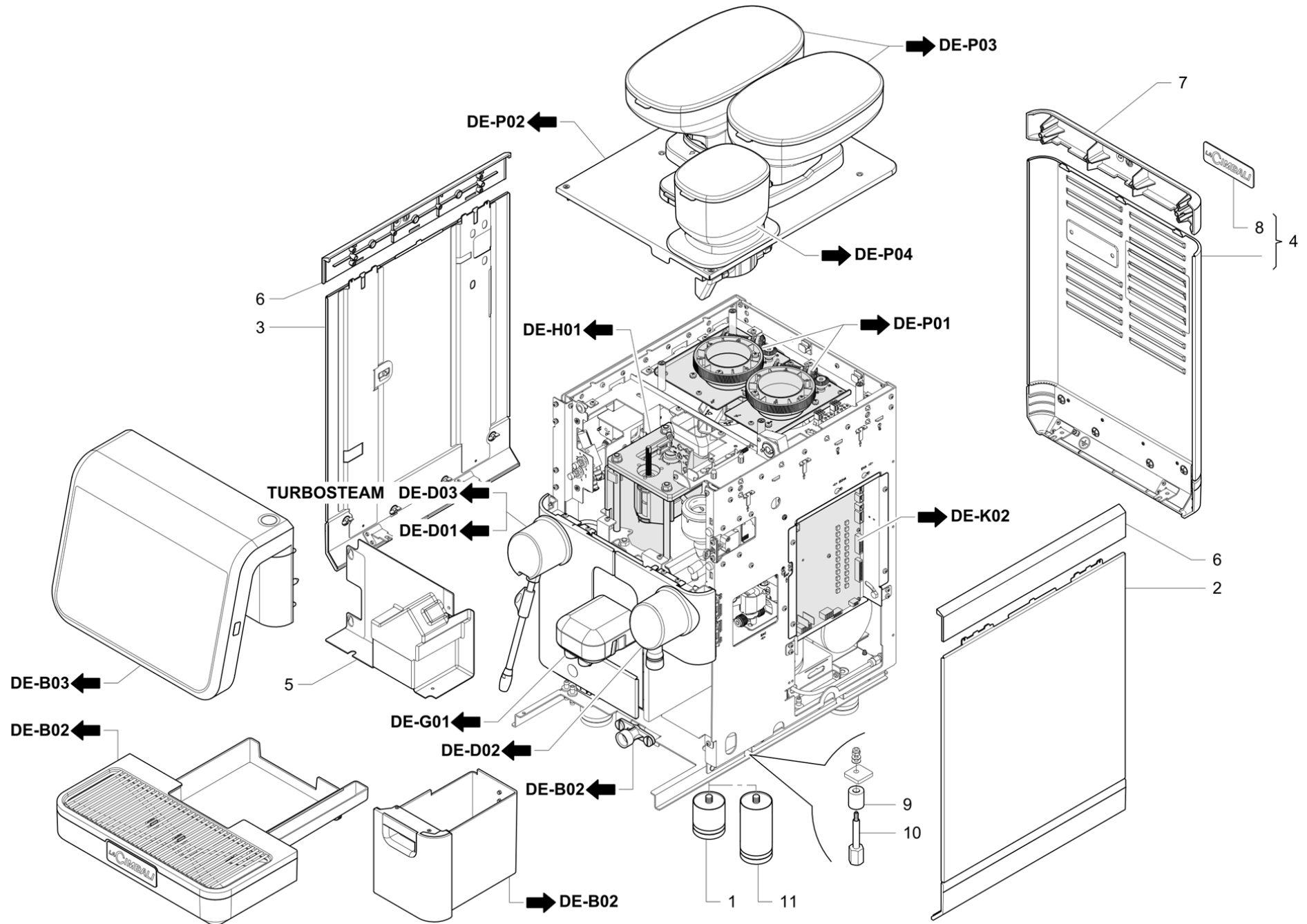
Pos	Part Number	Description	Validity	Notes
	⇒ 946208000	LOWER GROUP ANCHORING		
-	946211010	UPPER SPOUT SUPPORT		
	⇒ 946211000	UPPER SPOUT SUPPORT		
-	946212010	LOWER GROUP PLATE		
	⇒ 946212000	LOWER GROUP PLATE		
-	946213000	UPPER GROUP PLATE		
-	946232000	CHAMBER POSITION BRACKET		
-	966574000	CHAMBER D.44 WITH SLEEVE		
-	966575000	CHAMBER D.50 WITH SLEEVE		
-	976727000	CHAMBER CLOSURE PLATE		
-	593820001	HEXAGONAL-HEAD SCREW		
-	932013010	TILTER SUPPORT		
-	966012020	BOILER INSULATION		
-	966013020	BOILER INSULATION		
-	966014020	BOILER INSULATOR		
-	966015020	BOILER INSULATOR		
-	932027030	TILTER SPRING (REPLACES 932027020)		
	⇒ 932027020	TILTER SPRING		
-	537043920	COFFEE SLUICE-VALVE		
-	966425000	MALE CONNECTOR FOR WASHING BASIN		
-	966426000	FEMALE CONNECTOR FOR WASHING BASIN		
-	220000014	SILICONE PIPE D 4X8		
-	400301000	GASKET		
-	542910040	NUT M10		
-	568218000	RING SEEGER 18 S.S.		
-	966357000	SILIC.TUBE 7.9X4_.8X1500 SP.PART		
-	966182010	HOOK SLIDE PIN WITH RUVECO		
-	220000031F	SILIC TUBE RX50 SILASTIC 6.35x9.53	N:NSF	
-	533896910F	SOL.VALVE 3V NC D3 VITON 1/4G		
-	535959000	PAYMENT SYST. CONNECTION CABLE		
-	946523000	COFFEE GROUNDS DEVIATOR WITH RIVETS		
-	966039031	COFFEE GROUP GUARD		
	⇒ 966039011	COFFEE GROUP GUARD		
-	932028010	TILT. MECH. PLUG		
-	402270000	BRASS GASKET S05-5-1/8		
-	946263000	BOTTOM COFFEE GROUP FASTENING		
-	535536018	PHOTOCELL TX		
-	535303200	TOOTHED BELT		
-	538119000	SPOUT ENCODER CARD		
-	946260000	CONDUCTOR DRIVER GEAR Z35 M1		
-	946261000	DUCT DRIVER GEAR Z35 M1		
-	966262010	NEW BELT CASING		
-	966424000	CHROME DISPENSER GUIDE ROD		
-	966442010	SPOUT END STOP PHOTOCELL		
-	966557000	DISPENSER SLIDE GAGE ASS. S30		

Pos	Part Number	Description	Validity	Notes
-	946295000	WEIGHING SPOON		
-	966085001	SIDE SUPPORT		
-	532656600	T-SHAPED CONNECTOR		
-	920658010	WATER REGULATING VALVE		
-	534194100	SPHERIC GEAR		
-	946520000	COFFEE HOPPER		
-	946211010	UPPER SPOUT SUPPORT		
-	966402010	MIXER ROTOR		
-	966039031	COFFEE GROUP GUARD		
	⇒ 966039021	COFFEE GROUP GUARD		
-	535917040	S30 Drawer cabling Diagram		
-	534194300	STANDARD LOCK		
-	940168000	ONE WAY SPOUT		
-	946386000	HOPPER COVER		
-	946387000	HOPPERS LOCK BASE		
-	946391000	COFFEE HOPPER COVER W/LOCK		
-	946392000	SOLUBLE HOPPER COVER W/LOCK		
-	946393000	SOLUBLE HOPPER WITH LOCK		
-	946394000	SOLUBLE HOPPER ROD WITH LOCK		
-	946395000	SOLUBLES HOPPER LOCK BASE		
-	946398000	RH FRONT PANEL		
-	533902710	3-WAY SOLENOID VALVE		
-	946212010	LOWER GROUP PLATE		
-	966549028	SOLENOID VALVE TUBE ASSEMBLY		
-	532502918F	CONNECTOR		
-	946376008F	"T" CONNECTOR		
-	946377008F	ELBOW CONNECTOR		
-	946531000	ASSEMBLED UPPER PLATE WITH 3 GRINDERS		
-	946949000	MOTOR GEAR AND 3 GRINDER SEAL ASSEMBLY		
-	946970000	3 GRINDER RING NUT AND BODY ASSEMBLY		
-	969031000	BLADE FOR GRINDER		
-	969032000	NUT		
-	969046000	WASHER		
-	969047000	ROLLERS AXIAL CAGE		
-	946347000F	3 GRINDER HOPPER GRILLE		
-	946348000F	3 GRINDER HOPPER BASE		
-	946365000F	GRINDER ADJUSTMENT WHEEL		
-	946534000F	COFFEE HOPPER ASS. (THIRD GRINDER)		
-	946535000F	3 GRINDER SHUTTER ASS.		
-	946536000F	3 GRINDER DUCT ASS.		
-	537056100	DUCT KIT		
-	936050000	COLLAPSIBLE COFFEE GRINDED COLLECTOR		
-	966419000	RED OR		
-	946828010	S30 /X30 MAINTENANCE "H" KIT		

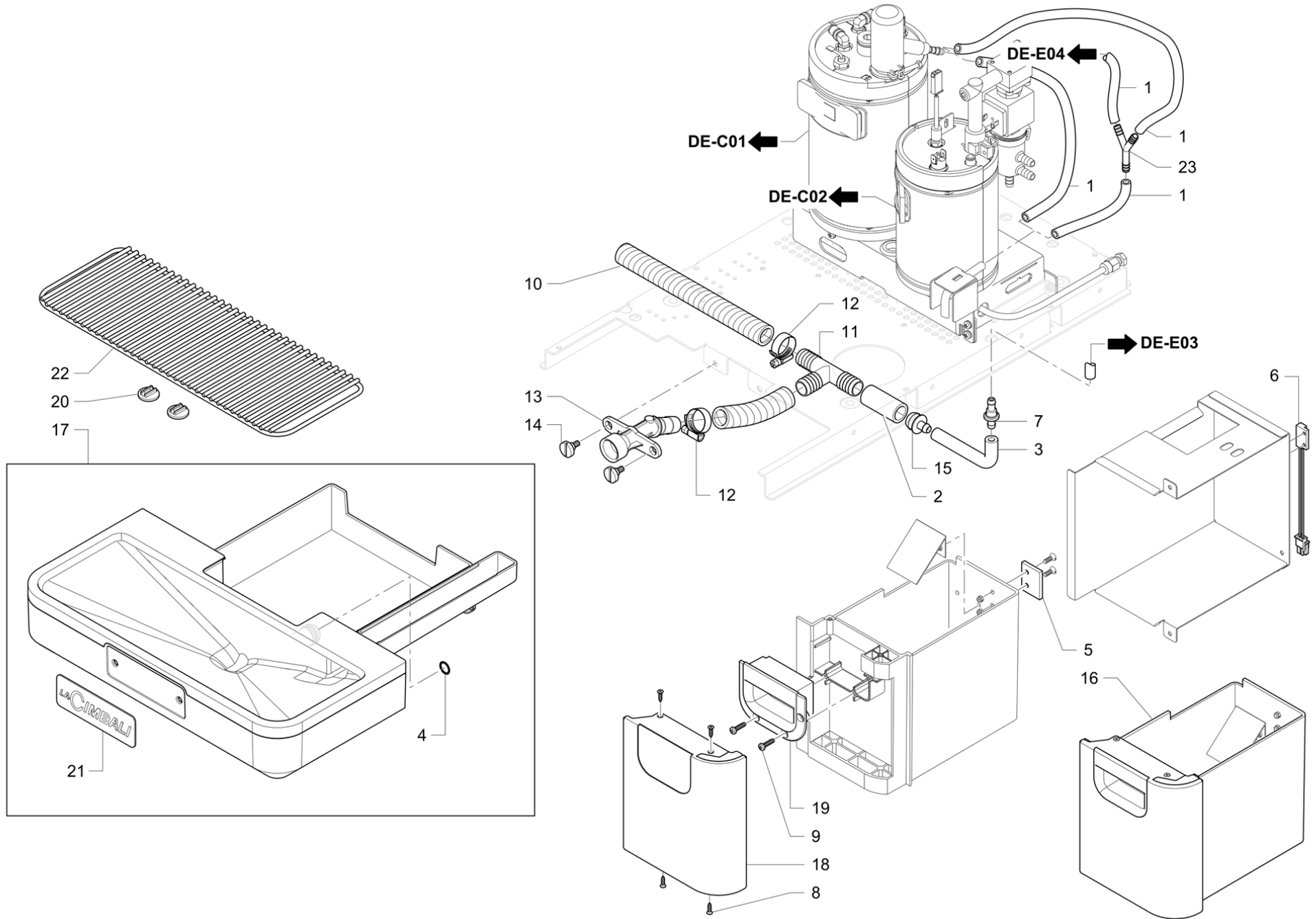


Pos	Part Number	Description	Validity	Notes
-	946902000	MOTOR ASSEMBLY (THIRD GRINDER)		
-	946357000F	LOWER GRINDER-HOLDER (THIRD GRINDER)		
-	946358000F	PAIR OF GRINDERS (THIRD GRINDER)		
-	401310000	O-RING		
-	512603050	S.S. M3X5 SCREW		
-	568305060	RING		
-	940087000	SCREW		
-	402327000F	COPPER GASKET 5.3X8.5X1		
-	944881000F	VALVE BODY WITH CALIBRATED VALVE		
-	985506010F	TSCT COAXIAL TUBE ASSEMBLY 10 - AVERAGE		
-	985510010F	TSCT TUBE ASSEMBLY - AVERAGE		
-	932027030	TILTER SPRING (REPLACES 932027020)		
-	966405010	MIXER OUTLET CONNECTOR		
-	946397000F	NOZZLE 2.5mm		
-	966203010	CIMBALI LOGO ON BASIN		
-	946396000	DOOR SWITCH HOOD		
-	946207010	ANGLE BRACKET FOR GROUP		
-	966846010	CPU BOARD ASS.		
-	966039031	COFFEE GROUP GUARD		
-	936159035F	CHAMBER BASE D. 44		
-	936175035F	CHAMBER BASE D.50		
-	946981000	RH PANEL ASS. WITH HOLE		
-	946887000	BOILER & BOILER ASS.		
-	533904600F	SV MEMBRANE		
-	944087000F	D. 44 250 MICRON FILTER		
-	944088000F	D.50 250 MICRON FILTER		
-	220000059	7x13 Diam.TUBE		
-	966845010	TRIAC BOARD S30 SP.PART		
-	944704030	PISTON ASS. W/BASE 44 STEPSEAL SP.PART		
-	944705030	PISTON ASS. W/BASE 50 STEPSEAL SP.PART		
-	944706020	PISTON ASS. 44 STEPSEAL SP.PART		
-	944707020	PISTON ASS. 50 STEPSEAL SP.PART		
-	946552000	LH DRAIN COUPLING WITH INSERTS		
-	996724000	MILK PROBE KIT		
-	946825010	KIT "E" PPM S30 44mm		
-	946830010	KIT "E" PPM S30 50mm		
-	966867000	KIT RIMOZIONE EV DEV. SOLUBILE S30		
-	981163000F	ASSIEME ADATTATORE QUICK-FIT D.3mm		

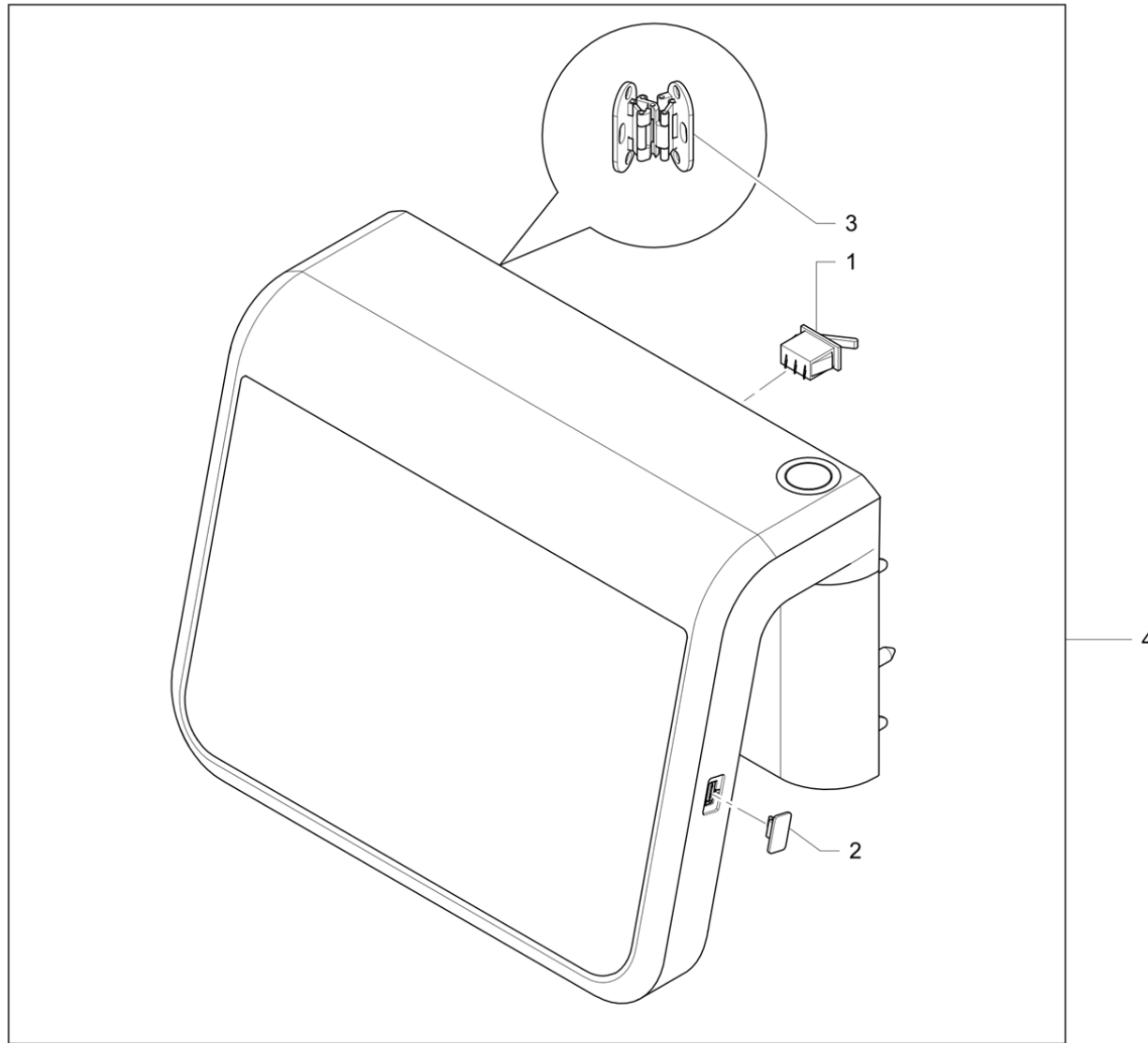




Pos	Part Number	Description	Validity	Notes
1	532805000	ADJUSTABLE FOOT		
2	946981000	RH PANEL ASS. WITH HOLE		
	⇒ 946806000	SIDE PANEL ASSEMBLY		
3	946807000	SIDE PANEL ASSEMBLY		
4	946808000	REAR PANEL ASSEMBLY		
5	966086000	INTERNAL CASING		
6	966121020	UPPER LEFT PLASTIC FRAME		
	⇒ 966121000	UPPER LEFT PLASTIC FRAME		
7	966123020	UPPER REAR PLASTIC FRAME		
	⇒ 966123000	REAR UPPER PLASTIC FRAME		
8	966203010	CIBALI LOGO ON BASIN		
	⇒ 966203000	CIBALI LOGO ON BASIN		
9	966294000	SPACER		
10	966295010	PANEL FIXING SCREW		
11	532805500	NYLON/STAINLESS STEEL ADJ. FOOT H105/137	N:NSF	

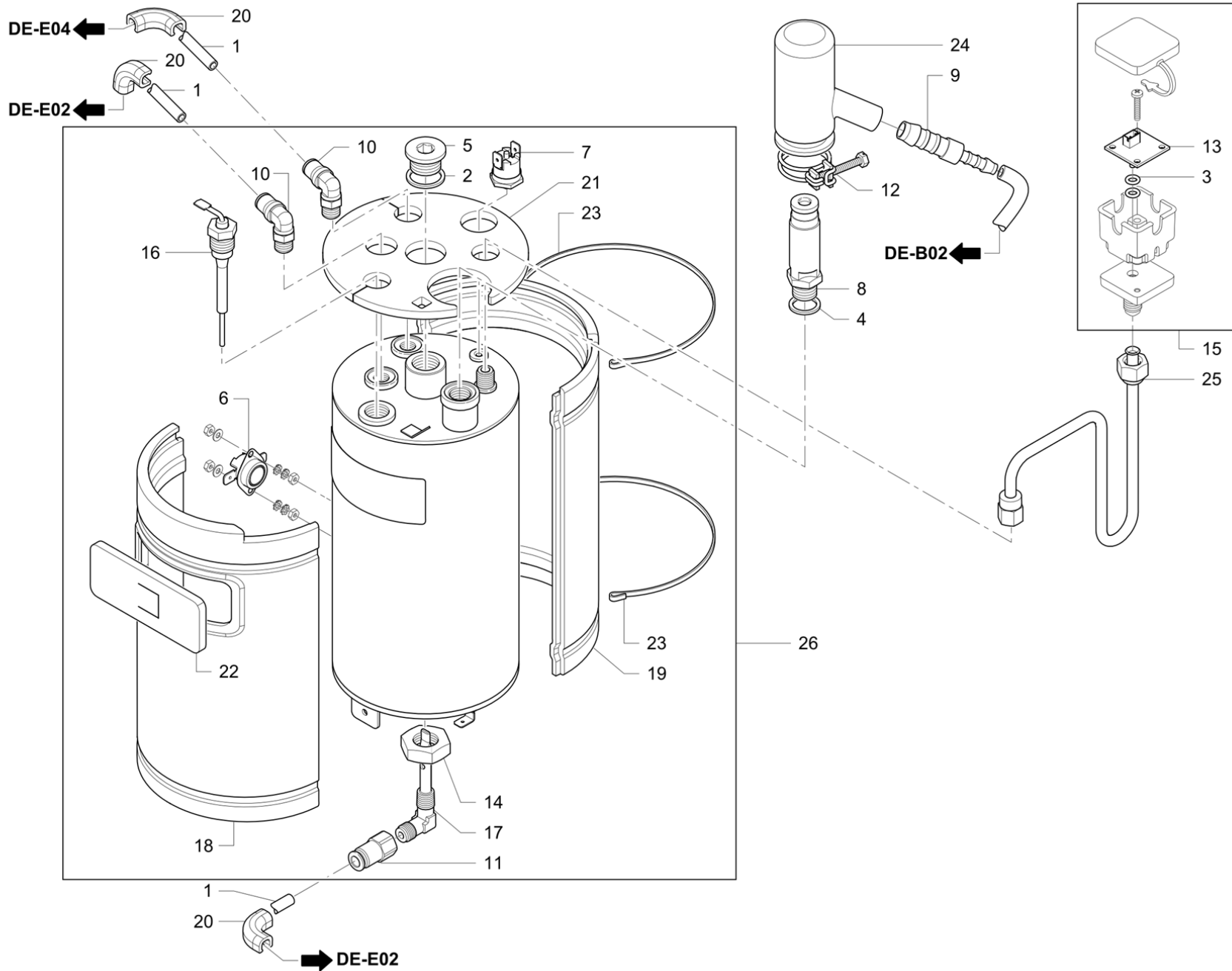


Pos	Part Number	Description	Validity	Notes
1	220000016	SILICONE PIPE D 6X10		
2	220000024	SILICONE PIPE D 15X21		
3	220000055	TUBE Diam. 6x10		
4	401347000	O-RING VITON 15,54X2,62		
5	410146000	MAGNETIC CONTACT		
6	463726000	MAGNETIC CONTACT		
7	484381000	UNION		
8	523103120	SCREW 3X12		
9	523140120	SCREW T.C. 4X12 FOR PLASTIC		
10	532302500	DRAIN PIPE		
11	532304000	UNION		
12	613500396	CLIP 14-24		
13	916252000	SERIE1 DRAIN UNION		
14	916256000	SCREW M5		
15	936299000	DOUBLE RUBBER HOLDER D8 D16		
16	946804000	BOTTOMS DRAWER ASSEMBLY		
17	946816000	CUP-HOLDER GRID BASIN		
18	966059010	COFFEE GROUNDS DRAWER LINING		
19	966078010	COFFEE GROUNDS DRAWER HANDLE (black)		
20	966153000	CUP POSITION INDICATOR		
21	966203010	CIBALI LOGO ON BASIN		
	⇒ 966203000	CIBALI LOGO ON BASIN		
22	966220000	BASIN GRILLE		
23	532302720	Y-UNION		

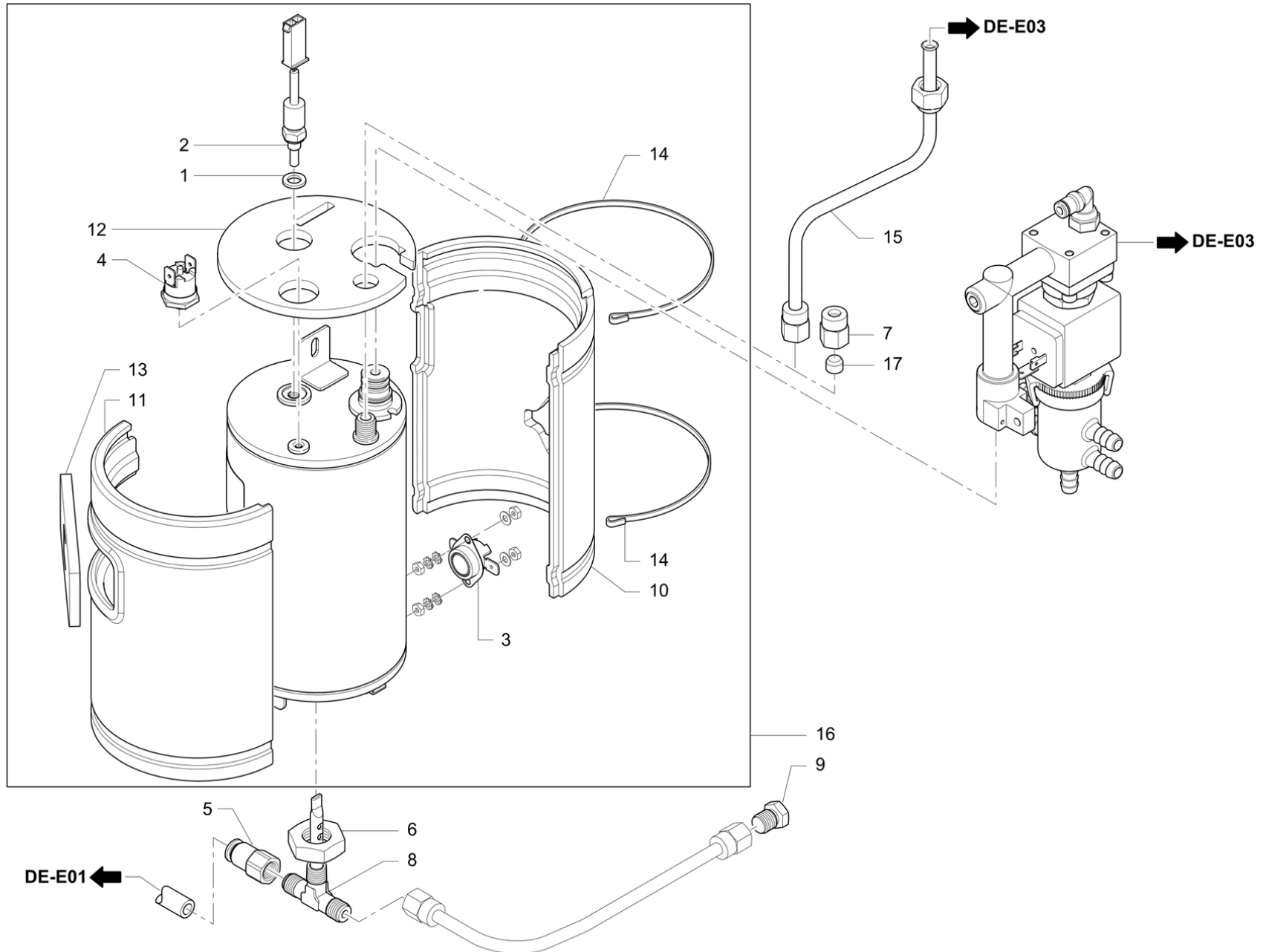


Pos	Part Number	Description	Validity	Notes
1	532022708	MICROSWITCH		
2	966106000	USB RUBBER CLOSURE WASHER		
3	966301000	HINGE		
4	966840000	COMMAND PANEL ASSEMBLY WITH SP. PARTS		

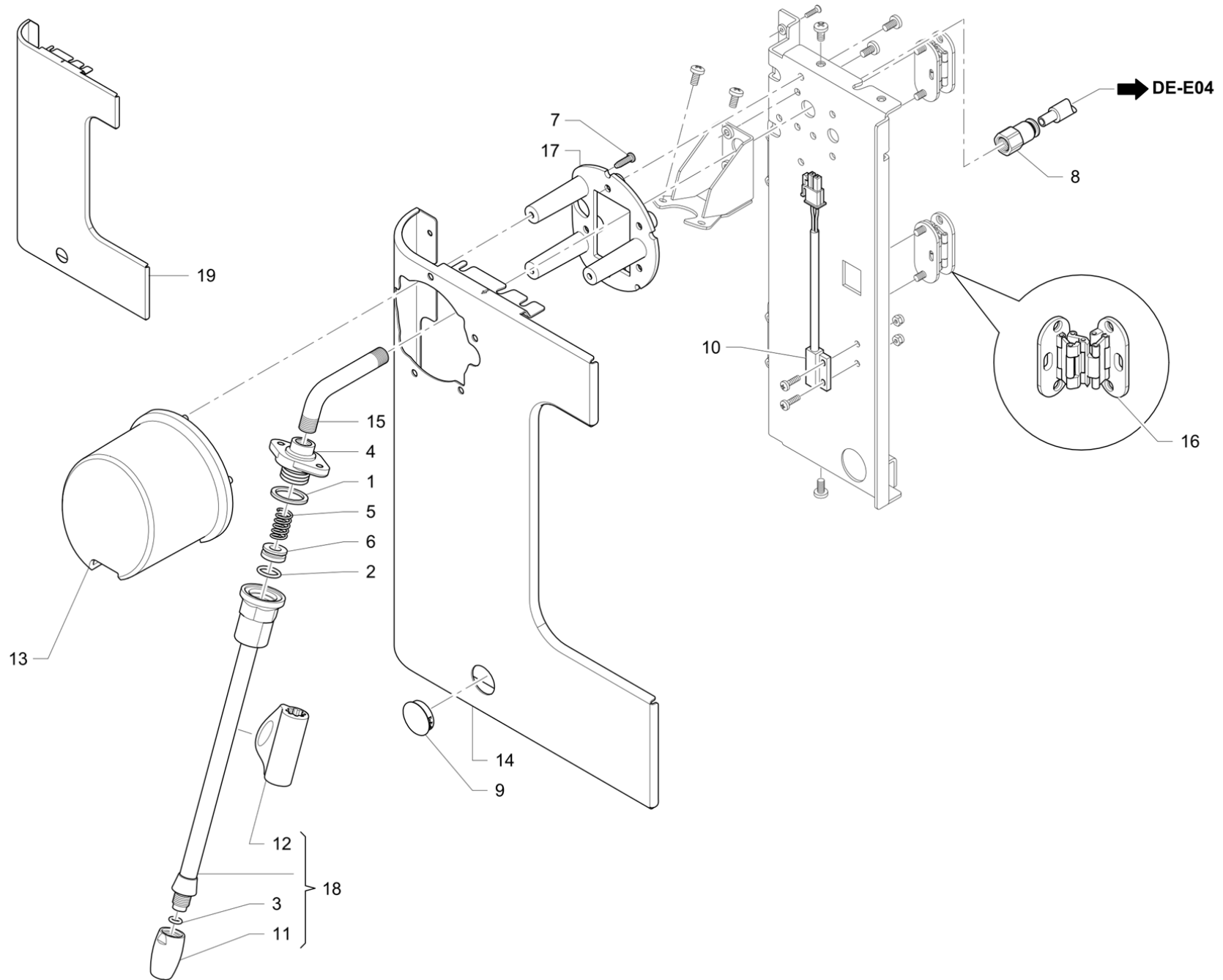




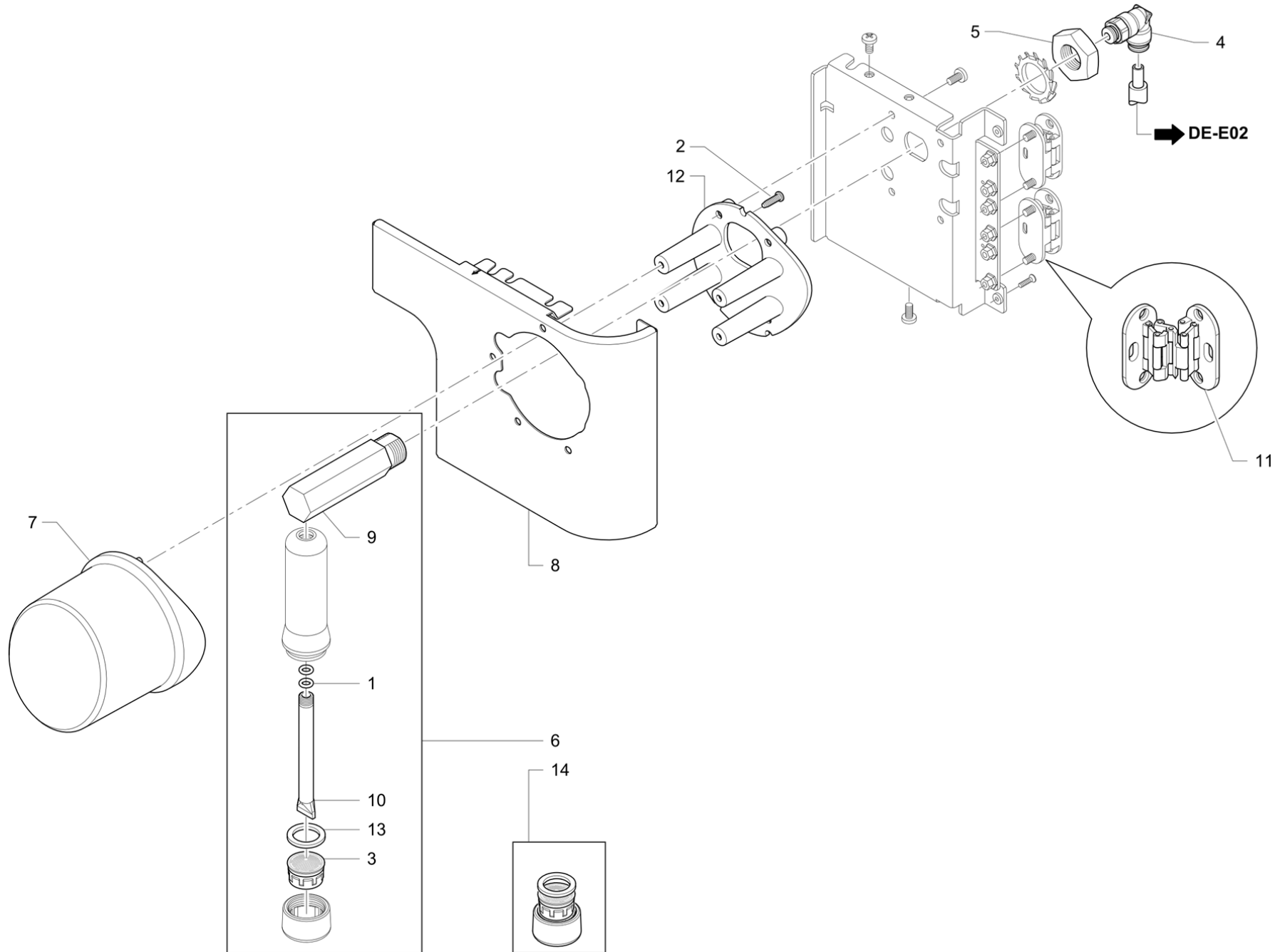
Pos	Part Number	Description	Validity	Notes
1	220000022	RISLAN PIPE 4X6		
2	401215000	COPPER GASKET		
3	401368000	GASKET 2,90X1,78		
4	402302000	GASKET 17X13,2X1X5		
5	457347010	3/8 GAS EXAGONAL INOX CAP		
6	531196400	CERAMIC THERMOSTAT 140°C		
6	531197200	CERAMIC THERMOSTAT 140°C	N:KTL	
7	531196500	CERAMIC THERMOSTAT 145°C		
7	531197300	CERAMIC THERMOSTAT 145°C	N:KTL	
8	532392700	SAFETY VALVE 2,3 1/4G		
9	532600700	HOSE ADAPTOR		
10	532651800	FAST UNION D.6		
11	532656500	STRAIGHT CONNECTOR D.61/8 F		
12	532746200	CABLE TIE-RAPS WITH SCREW		
13	537046900	PRESSURE SENSOR KIT		
14	542114080	NUT M16X1.5 LOW UNI 5589 ST. STEEL		
15	916549010	PRESSURE SENSOR ASSEMBLE		
16	946810000	LEVEL PROBE ASSEMBLY		
17	966011008	BOILER DIFFUSER CONNECTOR		
18	966012020	BOILER INSULATION		
	⇒ 966012010	BOILER INSULATION		
19	966013020	BOILER INSULATION		
	⇒ 966013010	BOILER INSULATION		
20	966026000	TUBE BENDER		
21	966436000	SOFT INSULATING COVER		
22	966437000	DATA PLATE CAP		
23	966438000	BOILER SHELL LOCKING CLAMP		
24	966492000	SAFETY VALVE PROTECTION		
25	966513000	PRESSURE SENSOR TUBE ASSEMBLY		
25	966513008	PRESSURE SENSOR TUBE ASSEMBLY	N:NSF	
26	966841000	BOILER ASSY S30		



Pos	Part Number	Description	Validity	Notes
1	401235020	GASKET 11X6,5X1,5		
2	531194810	COFFEE BOILER PROBE		
3	531196400	CERAMIC THERMOSTAT 140°C		
3	531197200	CERAMIC THERMOSTAT 140°C	N:KTL	
4	531196500	CERAMIC THERMOSTAT 145°C		
4	531197300	CERAMIC THERMOSTAT 145°C	N:KTL	
5	532656500	STRAIGHT CONNECTOR D.61/8 F		
6	542114080	NUT M16X1.5 LOW UNI 5589 ST. STEEL		
7	555000010	COVER		
8	940072008	REFILLING COFFEE BOILER INJECTOR TUBE		
9	940077000	SCREW -1/8		
10	966014020	BOILER INSULATOR		
	⇌ 966014010	BOILER INSULATOR		
11	966015020	BOILER INSULATOR		
	⇌ 966015010	BOILER INSULATOR		
12	966435000	SOFT INSULATING COVER		
13	966437000	DATA PLATE CAP		
14	966439000	BOILER SHELL LOCKING CLAMP		
15	966549018	SOLENOID VALVE TUBE ASSEMBLY		
16	966842000	BOILER ASSY S30		
17	592029000R	PIPE UNION BLIND		

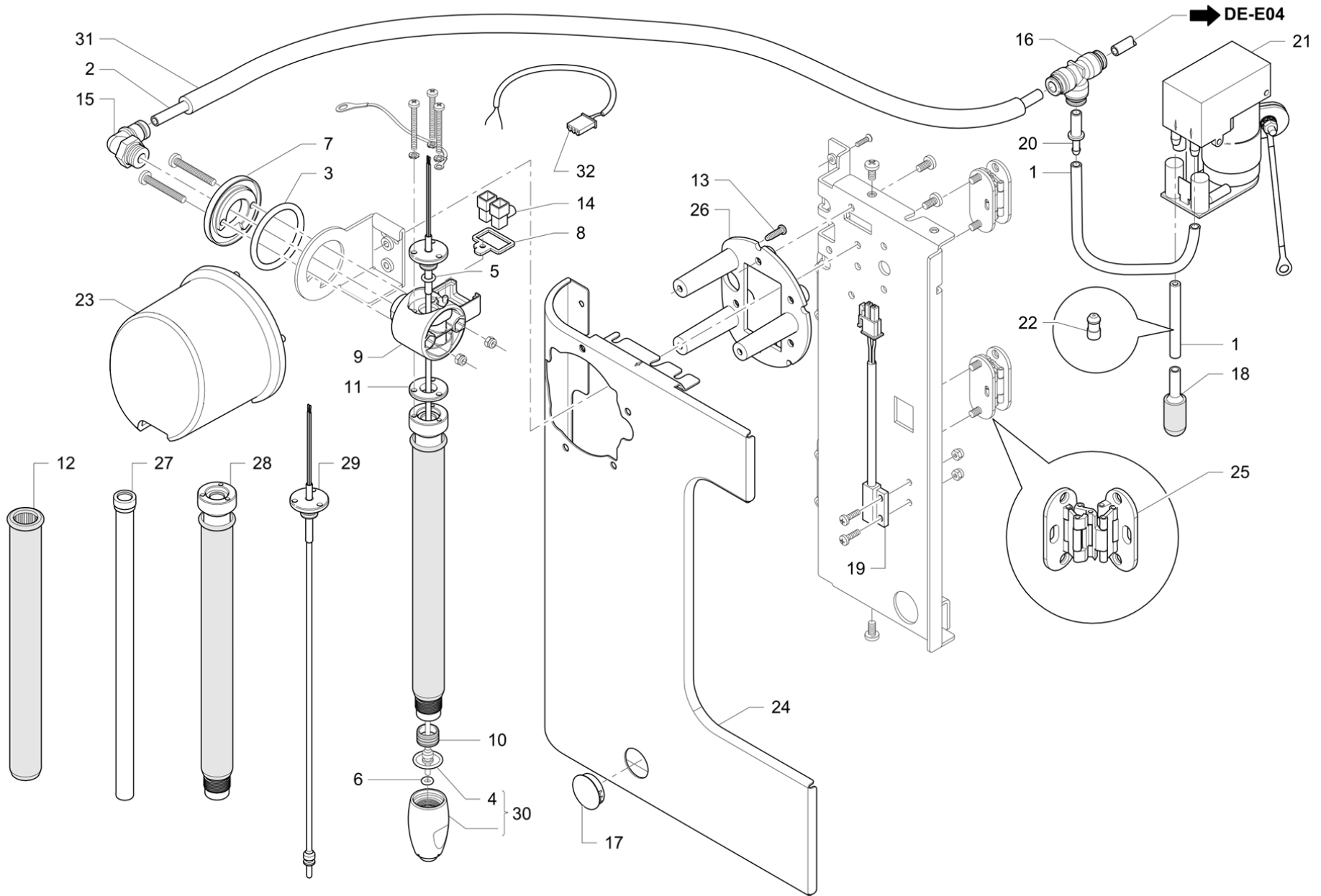


Pos	Part Number	Description	Validity	Notes
1	401183010	GASKET 22X17X1,5		
2	401204000	GASKET		
3	402223000	O-RING 7,65X1,78		
4	484016048	CONNECTOR FOR DISPENSER		
5	485061010	STAIN LESS STEEL SPRING		
6	485078010	GASKET		
7	523135120	SCREW AUTO.T.C.CR. 3,5X12		
8	532656500	STRAIGHT CONNECTOR D.61/8 F		
9	532727800	LOW CAP		
10	535947000	WASHING BASIN PRESENCE SENSOR S30		
11	913438000	STEAM NOZZLE		
12	927132010	MANIFOLD		
13	966045010	STEAM CASING		
14	966053010	STEAM PANEL		
15	966290000	STEAM WAND TUBE		
16	966301000	HINGE		
17	966515000	STEAM CASING RESTRAINT		
18	985758000	STEAM TUBE ASSEMBLY WITH BULB		
19	946259000	PANEL WITHOUT STEAM		

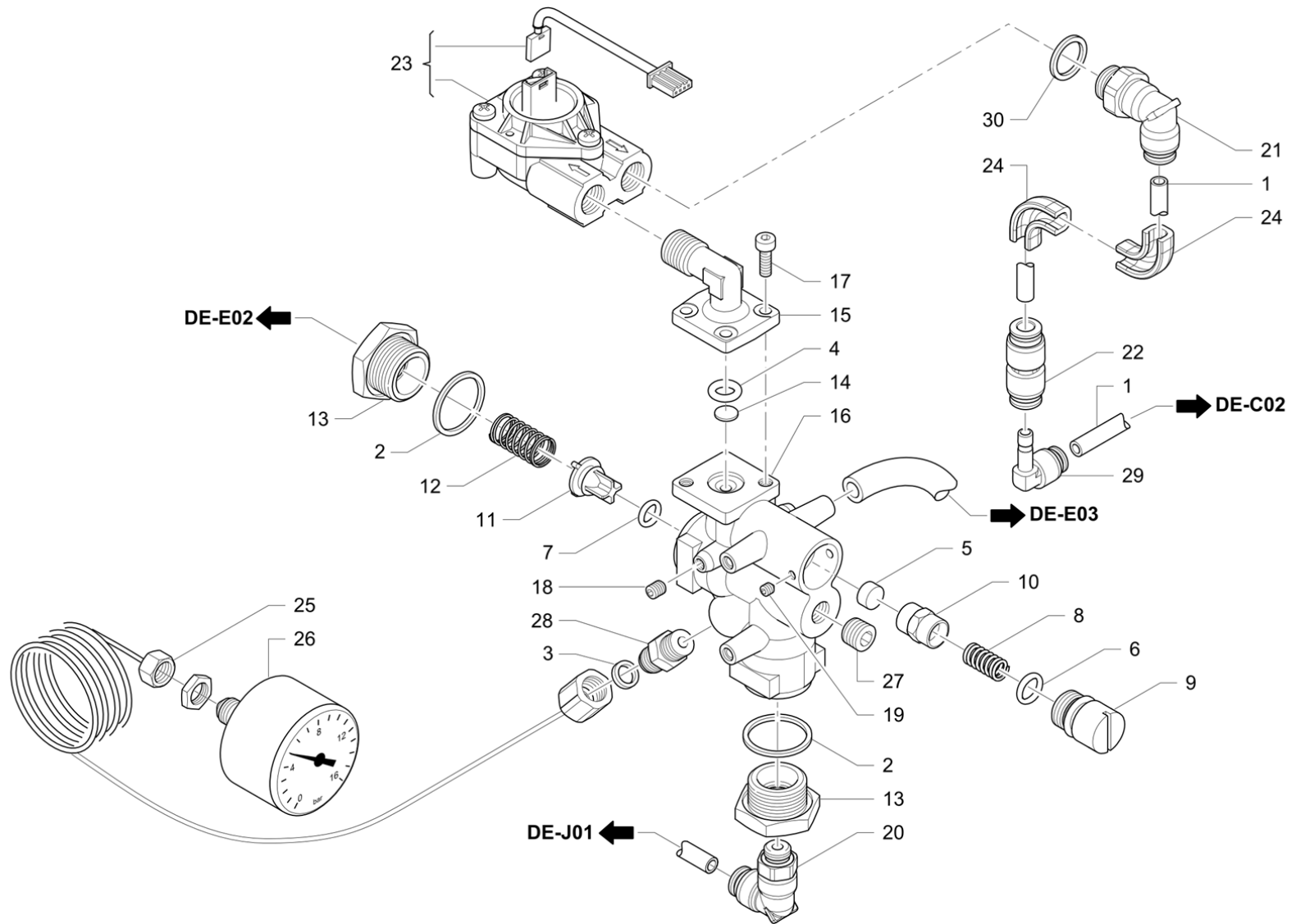


Pos	Part Number	Description	Validity	Notes
1	402318000	OR SEAL 7.65X1.78 NBR		
2	523135120	SCREW AUTO.T.C.CR. 3,5X12		
3	532305000	FILTER		
4	532656000	G1/8 M RUBB.CONN.		
5	532738700	NUT		
6	946811000	WATER DISPENSER ASSEMBLY		
7	966046000	WATER CASING		
8	966050010	WATER PANEL		
9	966287000	EXPANDABLE WATER DISPENSER CONNECTOR		
10	966289000	EXPANDABLE WATER DISPENSING TUBE		
11	966301000	HINGE		
12	966516000	WATER CASING RESTRAINT		
13	402320000F	21X15X2 NSF SEAL		
14	985716020F	M22X1 JET BREAKER		

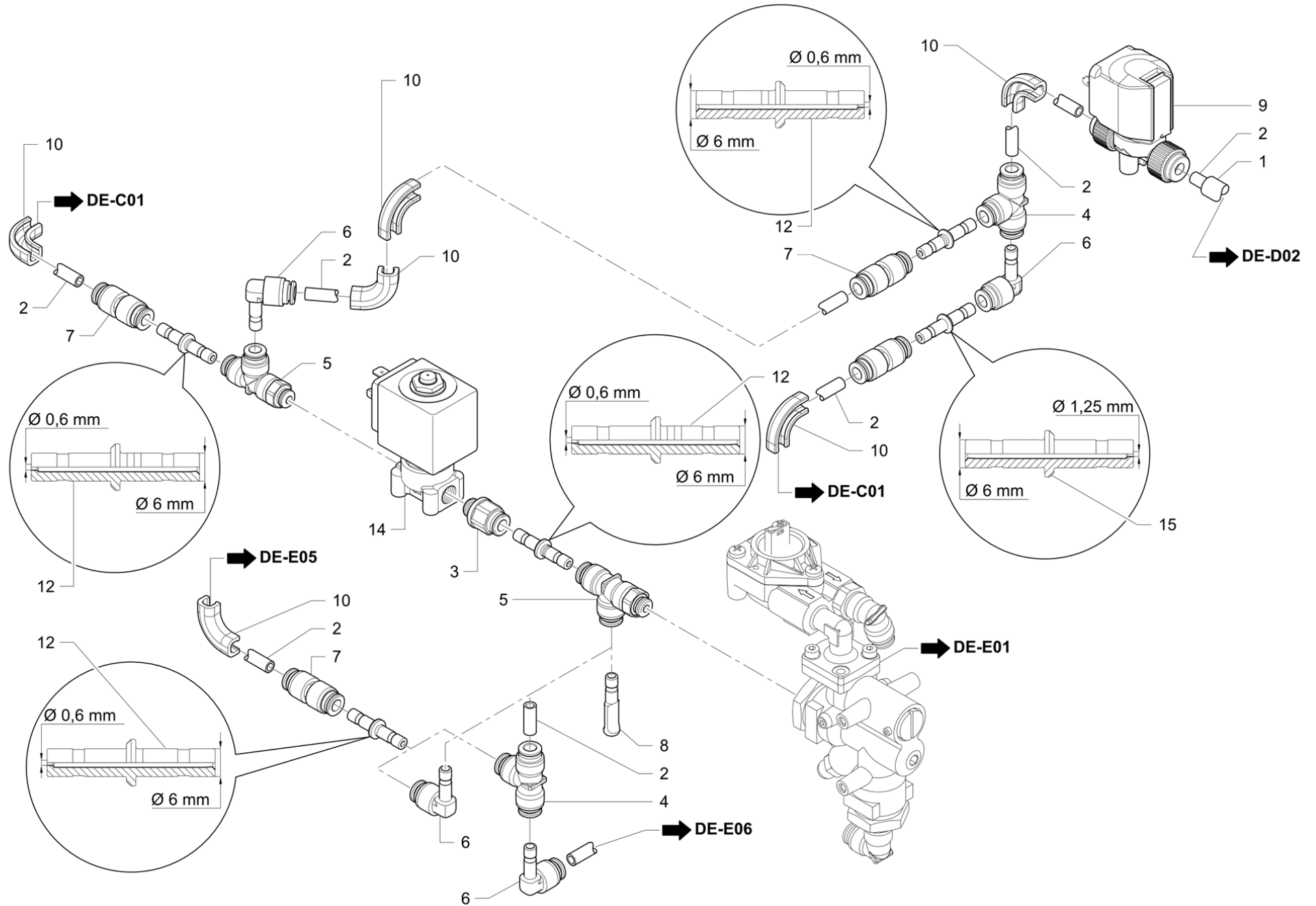




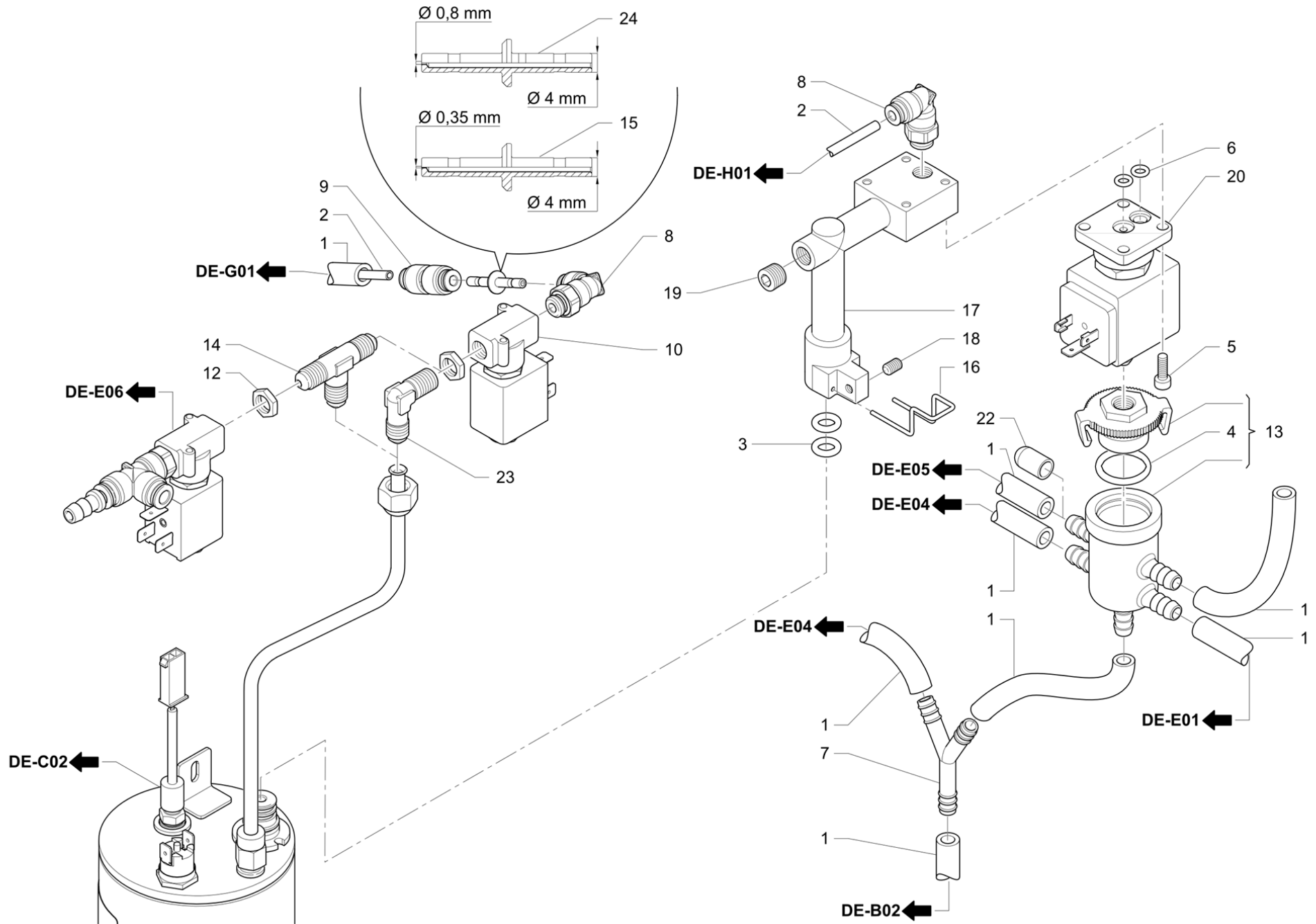
Pos	Part Number	Description	Validity	Notes
1	220000013	SILICONE PIPE D 3X6		
2	220000022	RISLAN PIPE 4X6		
3	402186010	OR 34.52X3.53 PLATIN. GASKET		
4	402218000	GASKET 14X1.78 NF		
5	402223000	O-RING 7,65X1,78		
6	402250000	GASKET 3,68 X 1,78		
7	485289000	ROLLER		
8	485291000	CLAMP		
9	485296030	UPGRADE JOINT		
10	495331000	LOWER SEAL FLANGE		
11	495334010	TUBE UPPER SEAL FLANGE 10		
12	495337000	EXTERNAL PROTECTION		
13	523135120	SCREW AUTO.T.C.CR. 3,5X12		
14	532149500	TERMINAL		
15	532654100	FITTING 6G 1/4		
16	532656700	T-SHAPED CONNECTOR		
17	532727800	LOW CAP		
18	534600300	SILENCER		
19	535947000	WASHING BASIN PRESENCE SENSOR S30		
20	934316000	§6 FAST UNION FOR PIPE 3X6		
21	938898000	12 V COMPRESSOR KIT		
22	956136010	COMPRESSOR NOZZLE DIAM. 0.35		
23	966045010	STEAM CASING		
24	966053010	STEAM PANEL		
25	966301000	HINGE		
26	966515000	STEAM CASING RESTRAINT		
27	985506010F	TSCT COAXIAL TUBE ASSEMBLY 10 - AVERAGE		
	⇒ 985506000	TSCT COAXIAL TUBE ASSEMBLY		
28	985510010F	TSCT TUBE ASSEMBLY - AVERAGE		
	⇒ 985510000	TSCT TUBE ASSEMBLY		
29	985512000	TSCT AVERAGE THERMOCOUPLE ASSEMBLY		
30	985757000	BULB TERMINAL ASSY TSCT SP.PARTS		
31	220000029	SILICONE PIPE D 7X11		
32	966356000	S30 SHIELDED CABLE ASSEMBLY		



Pos	Part Number	Description	Validity	Notes
1	220000022	RISLAN PIPE 4X6		
2	400335010	GASKET 21X24,5X1,5		
3	401196010	GASKET 8,5X4,5X1,5		
4	402195000	O-RING 9,25X1,78 NF		
5	402203000	GASKET BLIND NF		
6	402219000	O-RING 10,78X2,62 NF		
7	402220000	O-RING 9,13X2,62		
8	415004000	STAINLESS STEEL SPRING		
9	415019010	EXPANSION VALVE ADJUSTING SCREW		
10	415020000	GASKET HOLDER		
11	418012028	SHORT VALVE		
12	418014000	SPRING FOR VALVE		
13	419083000	CAP EXPANSION		
14	481361000	FILTER WITH HOLDER 9X1.5 INOX		
15	946302008	CONNECTOR FOR VALVE BODY 1/4 CONICAL		
16	944881000F	VALVE BODY WITH CALIBRATED VALVE		
	⇌ 484595000	VALVE BODY M3 WITH CONNETION		
17	511804120	S.S. M4X12 VTCE SCREW		
18	512605060	SCREW		
19	512904050	S.S. M4X5 SCREW		
20	532656000	G1/8 M RUBB.CONN.		
21	532656100	G1/4 M RUBB.CONN.		
22	532657700	STRAIGHT CONNECTOR D6		
23	534393100	FLOWMETER WITH ADAPTOR		
24	966026000	TUBE BENDER		
25	3951133673	TUBE FOR GAUGE		
26	3781133399	PUMP GAUGE		
27	532501300R	SCREW SO-40371-1/8		
28	532501800R	FITTING 1/8 X 1/8		
29	532657100	ELBOW CONNECTOR WITH QUICK COUPLING		
30	402302000	GASKET 17X13,2X1X5		

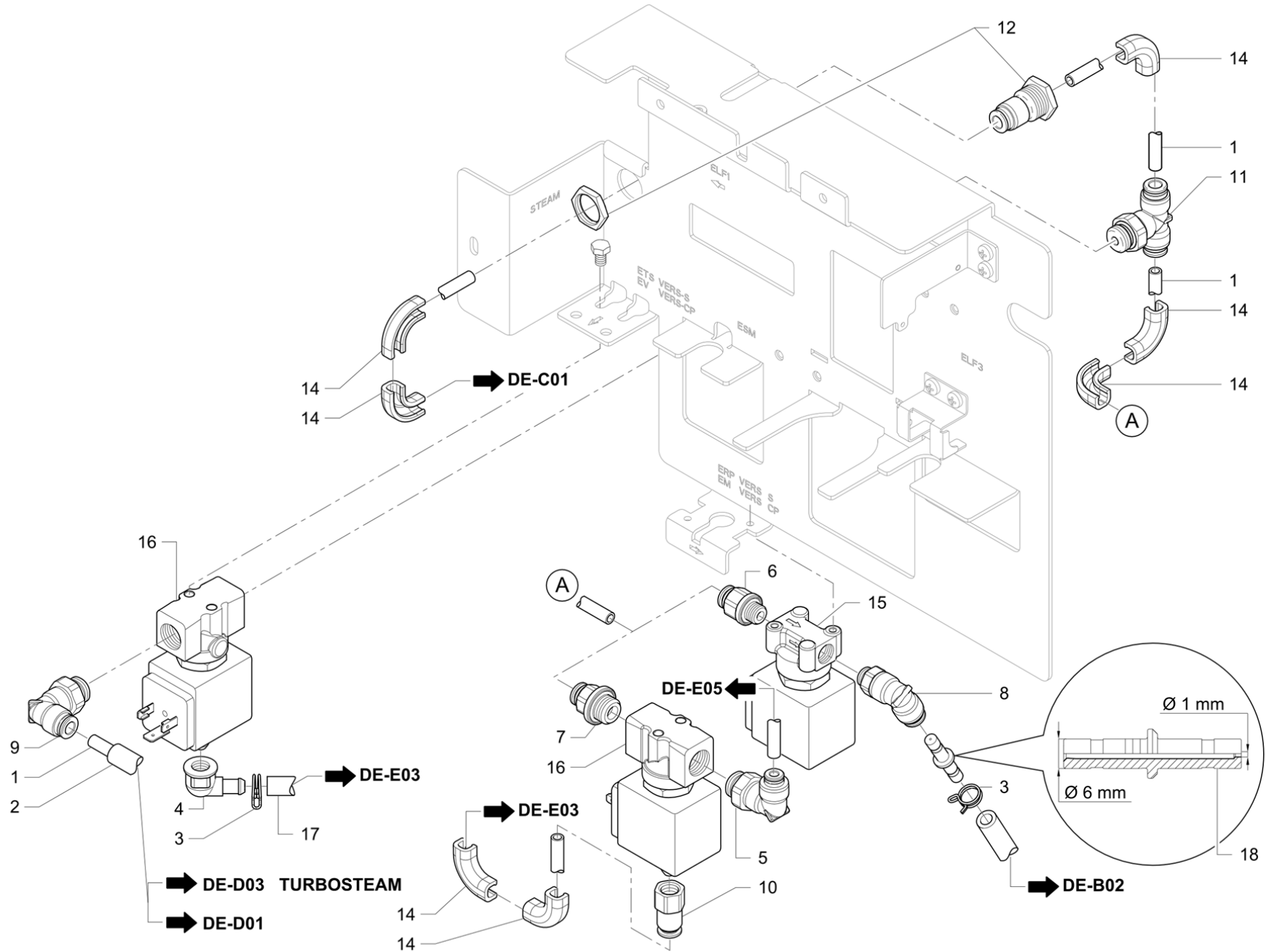


Pos	Part Number	Description	Validity	Notes
1	220000016	SILICONE PIPE D 6X10		
2	220000022	RISLAN PIPE 4X6		
3	532655700	STRAIGHT CONNECTOR G1/8 M		
4	532656700	T-SHAPED CONNECTOR		
5	532656800	D.6-G1/8 M VERT. T.CONN.		
6	532657100	ELBOW CONNECTOR WITH QUICK COUPLING		
7	532657700	STRAIGHT CONNECTOR D6		
8	532658400	CLOSING DIAM.6		
9	533902600	2-WAY SOLENOID VALVE THREADED COUPLINGS		
10	966026000	TUBE BENDER		
12	966432000	NOZZLE Diam. 0.6mm		
14	533896600R	SOLENOID VALVE 24V DC		
15	946279000	nozzle Diam. 1.25mm		

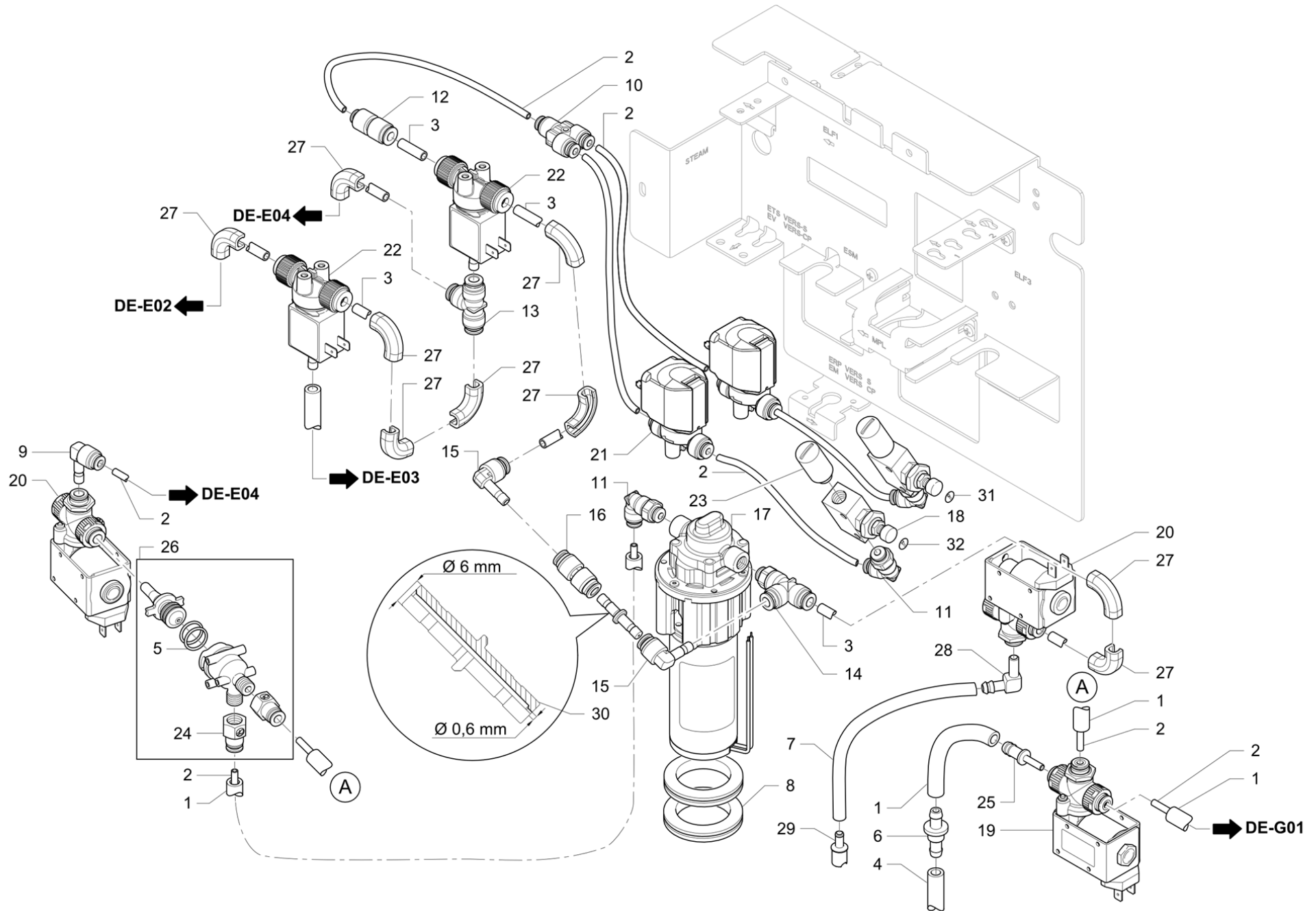


Pos	Part Number	Description	Validity	Notes
1	220000016	SILICONE PIPE D 6X10		
2	220000021	TEFLON TUBE D 2,5X4		
3	402209000	O-RING GASKET 10,82X1,78 NF		
4	402228000	O-RING 18,72X2,62		
5	511804120	S.S. M4X12 VTCE SCREW		
6	530501200	OR 2025		
7	532302720	Y-UNION		
8	532655900	G1/8 M RUBB.CONN.		
9	532657800	STRAIGHT CONNECTOR D4		
10	533897800	SOLENOID VALVE 24V DC		
12	590133000	COUNTER NUT 1/8		
13	916537010	EXPANSION TANK ASS.		
14	949004008	T INTERMEDIATE -1/8 ENV		
15	966430000	NOZZLE Diam. 0.35mm		
16	966458000	SOLENOID VALVE BLOCK LOCKING CLAMP "G"		
17	966518000	SOLENOID VALVE BLOCK ASSEMBLY "G"		
18	4001042313	GRUB SCREW M5X8		
19	532501300R	SCREW SO-40371-1/8		
20	533896500R	SOLENOID VALVE 24V DC		
22	532740610	CAP		
23	952108008	KNEE 1/8 1/8 RUV		
24	946278000	NOZZLE Diam. 0.8mm		

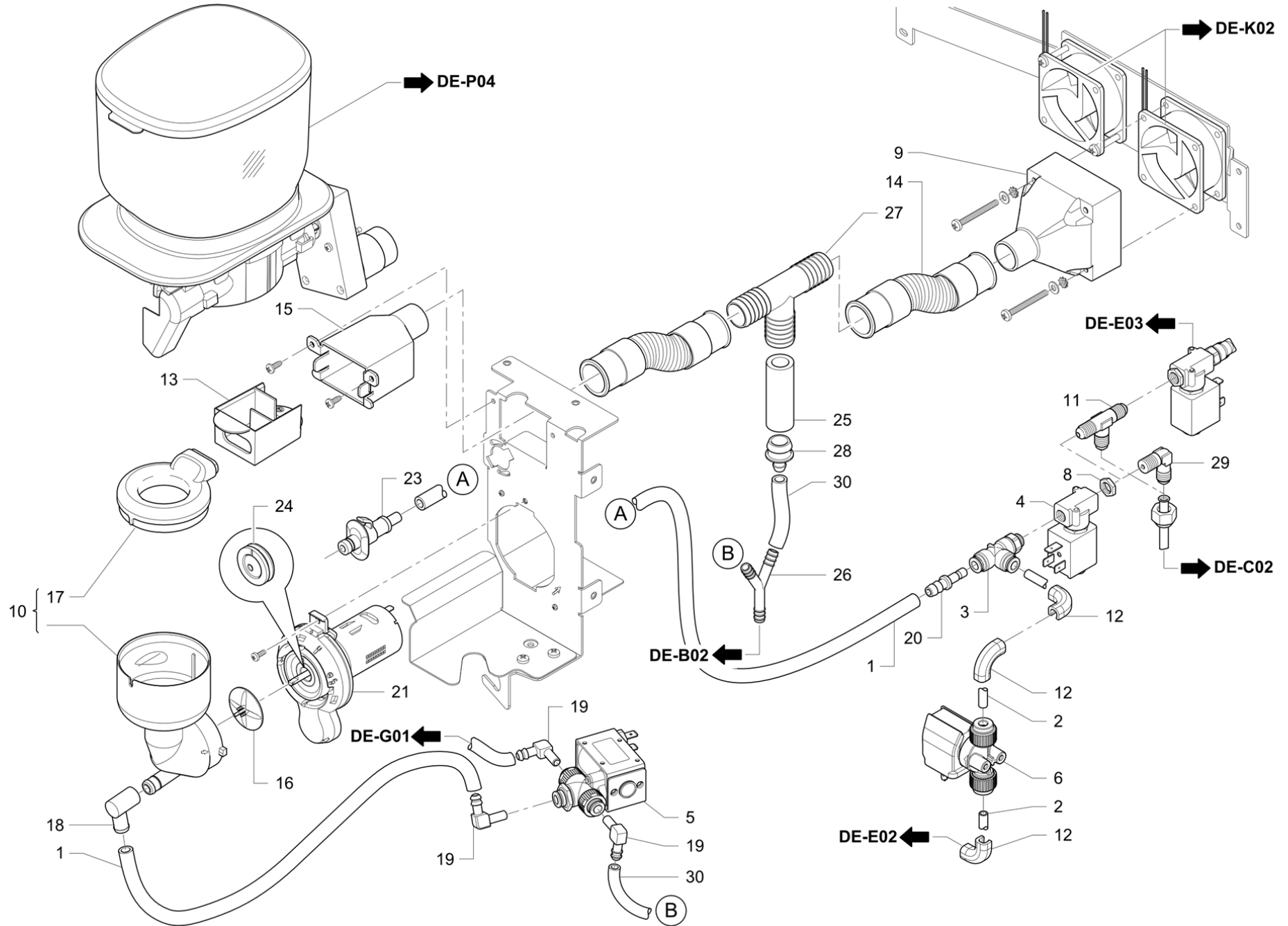




Pos	Part Number	Description	Validity	Notes
1	220000022	RISLAN PIPE 4X6		
2	220000029	SILICONE PIPE D 7X11		
3	441170001	CLIP		
4	448138018	UNION 1/8 F		
5	532567300	G1/4 ELBOW JOINT		
6	532655700	STRAIGHT CONNECTOR G1/8 M		
7	532655800	STRAIGHT CONNECTOR G1/4 M D.6		
8	532656000	G1/8 M RUBB.CONN.		
9	532656100	G1/4 M RUBB.CONN.		
10	532656500	STRAIGHT CONNECTOR D.61/8 F		
11	532657200	CONNECTOR 1/4		
12	532657900	PARTITION CONNECTOR D6		
14	966026000	TUBE BENDER		
15	533896600R	SOLENOID VALVE 24V DC		
16	533896910F	SOL.VALVE 3V NC D3 VITON 1/4G		
	⇌ 533896900R	SOLENOID VALVE 3G 24V DC		
17	220000016	SILICONE PIPE D 6X10		
18	966431000	NOZZLE Diam. 1mm		



Pos	Part Number	Description	Validity	Notes
1	220000016	SILICONE PIPE D 6X10		
2	220000021	TEFLON TUBE D 2,5X4		
3	220000022	RISLAN PIPE 4X6		
4	220000055	TUBE Diam. 6x10		
5	401360000	O-RING 11,11X1,78		
6	484381000	UNION		
7	484391000	4,8X7,9X1000 SILICON PIPE		
7	946371000	NSF SILICON TUBE 4.2X7.85X1000MM	N:NSF	
8	532161000	CABLE GLAND ø 34		
9	532567400	AD 4 D6 ELBOW JOINT		
10	532655500	Y JOINT RAP. PVC 982P3-4FF-S8		
11	532655900	G1/8 M RUBB.CONN.		
12	532656400	PARTITION CONNECTOR		
13	532656700	T-SHAPED CONNECTOR		
14	532656800	D.6-G1/8 M VERT. T.CONN.		
15	532657100	ELBOW CONNECTOR WITH QUICK COUPLING		
16	532657700	STRAIGHT CONNECTOR D6		
17	533180700F	MILK PUMP		
18	533590700	AIR VALVE		
18	946372000	FLOW ADJUSTER 1/8 NICKEL FINISH	N:NSF	
19	533900800	EV. 3-WAY ETV-SO2-F30-4FF-024/= - WITH S		
20	533902000	2-WAY SV ETV 125-A40-6FF-024		
21	533902500	2-WAY SOLENOID VALVE QUICK COUPLING		
22	533902710	3-WAY SOLENOID VALVE		
	⇒ 533902700	3-WAY SOLENOID VALVE THREADED COUPLINGS		
23	534600100	FILTER AIR CAPP.		
24	935708000	FAST UNION		
25	936298010	RUBBER HOLDER WITH QUICK COUPLING D.4		
26	944794000	MILK WARMER ASS. SP.PART		
27	966026000	TUBE BENDER		
28	966409000	TUBE-HOLDER CONNECTOR WITH QUICK COUPLIN		
29	966423000	MILK SUCTION FILTER		
30	966432000	NOZZLE Diam. 0.6mm		
31	947155000	COLD AIR LABEL		
32	947156000	HOT AIR LABEL		

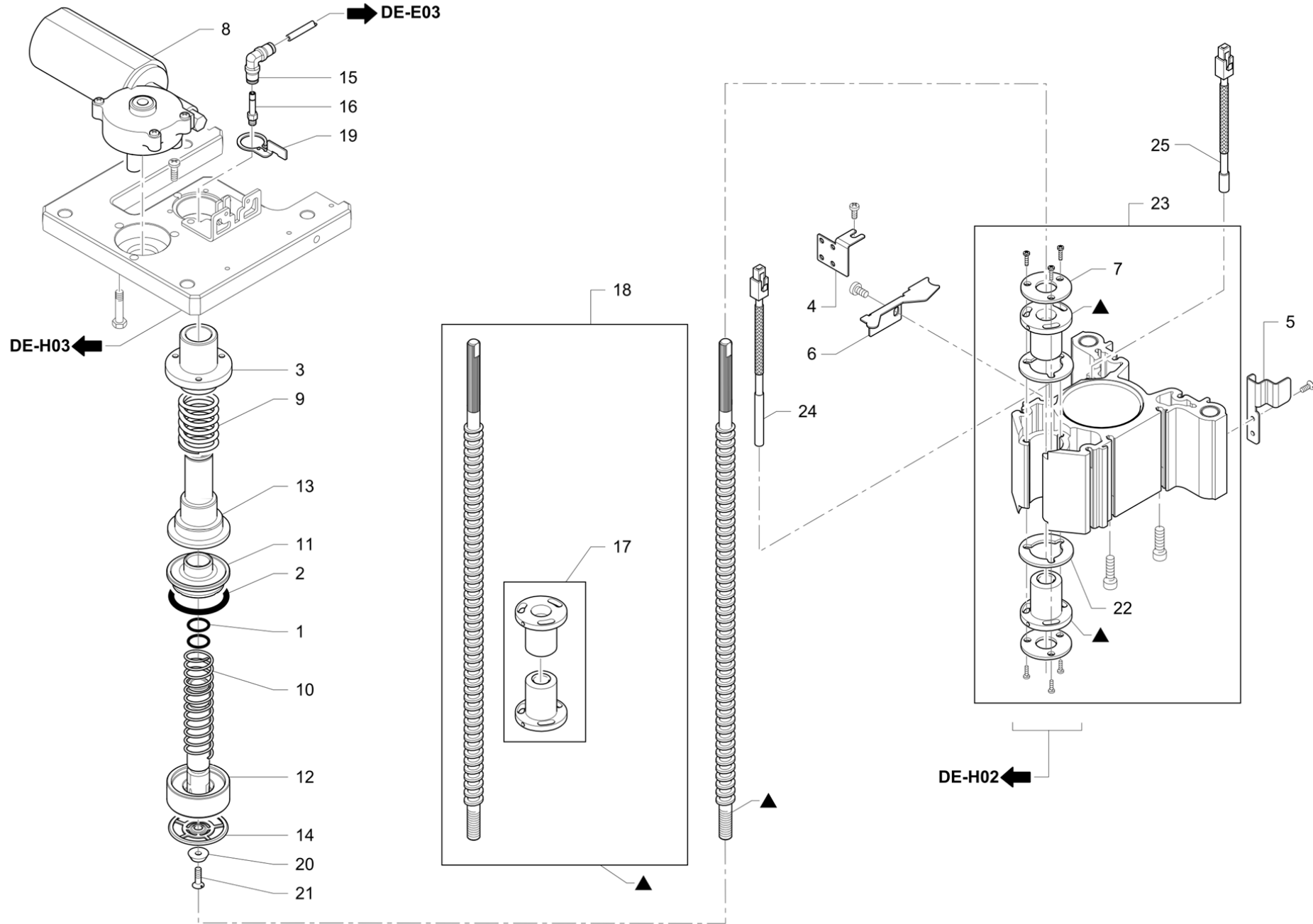


Pos	Part Number	Description	Validity	Notes
1	220000016	SILICONE PIPE D 6X10		
1	220000031F	SILIC TUBE RX50 SILASTIC 6.35x9.53	N:NSF	
2	220000022	RISLAN PIPE 4X6		
3	532656800	D.6-G1/8 M VERT. T.CONN.		
4	533897800	SOLENOID VALVE 24V DC		
5	533898000	DIVERTER VALVE 24V DC		
6	533902600	2-WAY SOLENOID VALVE THREADED COUPLINGS		
8	590133000	COUNTER NUT 1/8		
9	934010010	AXIAL FAN SUPPORT 60mm		
10	946809000	MIXER BODY ASSEMBLY		
11	949004008	T INTERMEDIATE -1/8 ENV		
12	966026000	TUBE BENDER		
13	966049000	SUCTION DRAWER		
14	966149010	MIXER SUCTION TUBE		
15	966184000	FIXED SUCTION DRAWER		
16	966402010	MIXER ROTOR		
	⇒ 966402000	MIXER ROTOR		
17	966404000	MIXER BODY COVER		
18	966405010	MIXER OUTLET CONNECTOR		
	⇒ 966405000	CV MIXER EXIT PIPE		
19	966409000	TUBE-HOLDER CONNECTOR WITH QUICK COUPLIN		
20	966429000	NOZZLE Diam. 0.6mm		
21	966770000	BASE ASSEMBLY + CV MIXER MOTOR		
23	966346000F	MIXER INJECTOR D. 0.5		
24	946243000	INT. BASE GASKET, Diam. 4		
25	220000024	SILICONE PIPE D 15X21		
26	532302720	Y-UNION		
27	532305700	T-SHAPED CONNECTOR Diam. 22		
28	936299000	DOUBLE RUBBER HOLDER D8 D16		
29	952108008	KNEE 1/8 1/8 RUV		
30	220000016	SILICONE PIPE D 6X10		

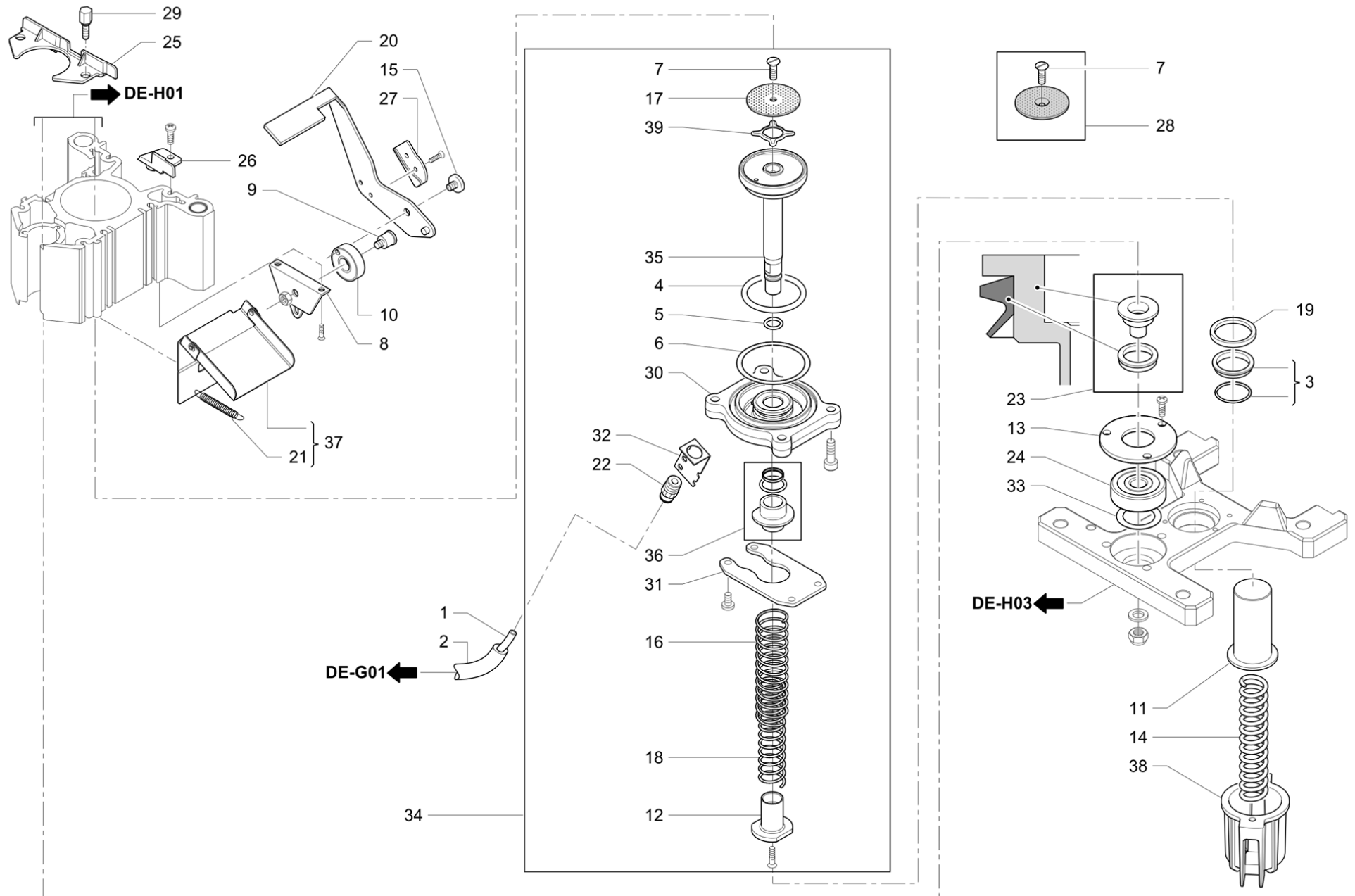


Pos	Part Number	Description	Validity	Notes
1	220000016	SILICONE PIPE D 6X10		
1	220000031F	SILIC TUBE RX50 SILASTIC 6.35x9.53	N:NSF	
2	220000021	TEFLON TUBE D 2,5X4		
3	220000052	TYGON TUBE		
4	401400000	NBR SILICON OR 5.28x1.78		
5	432544010	DELIVERY SPOUT SUPPORT		
6	532655600	STRAIGHT CONNECTOR G1/8 M		
7	532657500	PARTITION CONNECTOR D4		
8	532657600	Y-CONNECTOR D.4 G1/8		
9	532658100	ELBOW CONNECTOR WITH QUICK COUPLING D4		
10	940168000	ONE WAY SPOUT		
11	943456010	SPOUT DELIVERY TUBE RETAINER		
12	946740000	MILK SPOUT ASS. SP.PART		
13	946805000	WASHING TANK ASSEMBLY		
14	946813000	COFFEE SPOUT ASSEMBLY		
15	966222000	DISPENSER GUIDE ROD		
16	966225007	SPOUT		
17	966254000	SPOUT COVER - WITH TABLES S30-		
18	966260000	MOTORISED SPOUT COUPLING CASING		
19	966264000	RH SPOUT FRAME		
20	966265000	LH SPOUT FRAME		
21	966266000	SPOUT SLUICE-VALVE		
22	966271001	TOOTHING		
23	966303000	CONNECTOR FOR FLOAT		
24	966316000	SOLUBLE TUBE DRAINAGE		
25	966544000	LOWER SPOUT SHELL ASSEMBLY		
26	966545000	FRONT SPOUT SHELL ASSEMBLY		
27	532658900	ELBOW CONNECTOR WITH QUICK COUPLING D4		



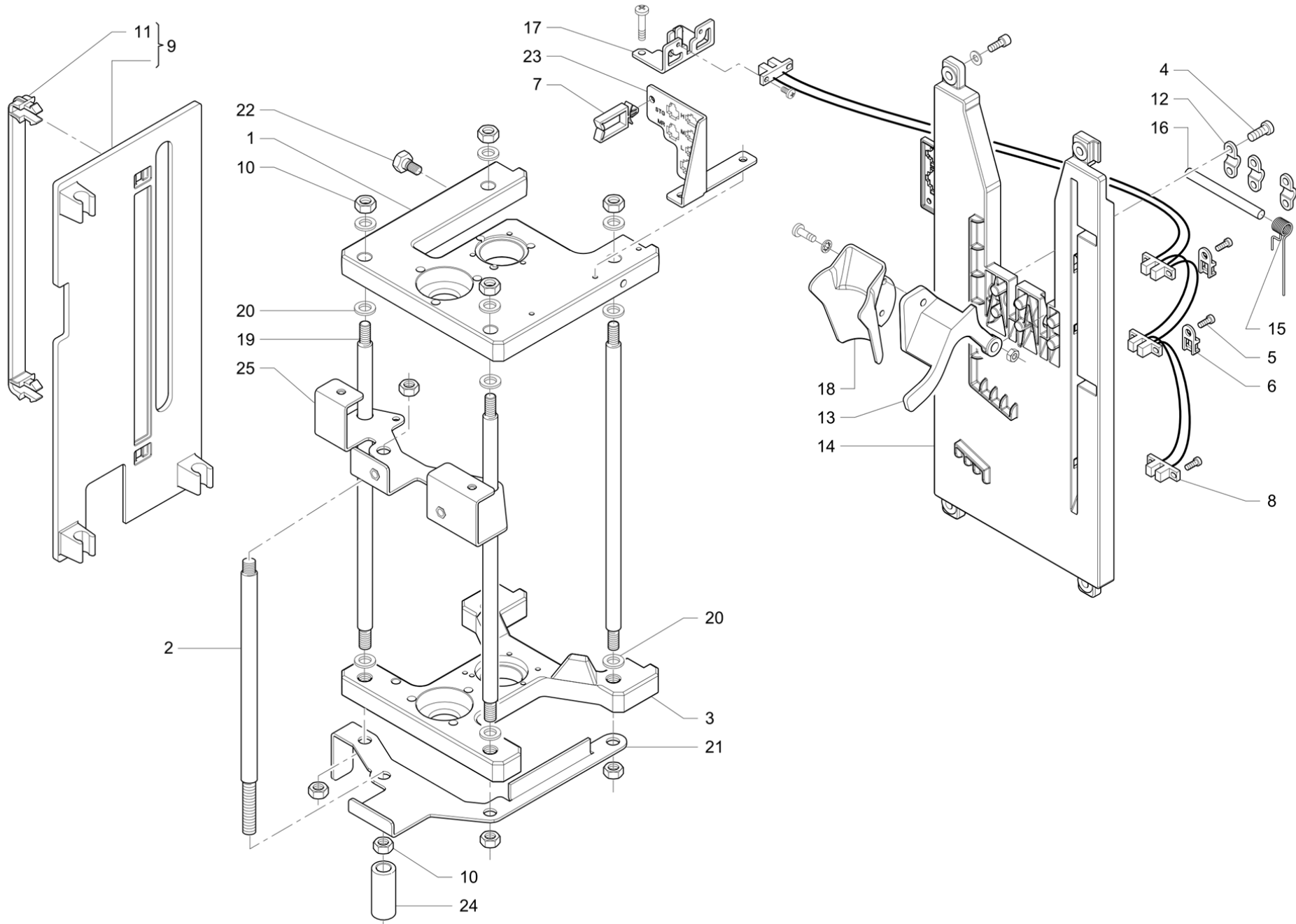


Pos	Part Number	Description	Validity	Notes
1	401374000	GASKET		
2	402186010	OR 34.52X3.53 PLATIN. GASKET	G:D44	
2	402187010	OR-GASKET 39,69X3,53	G:D50	
3	431031040	BUSH UPPER PISTON		
4	431151000	FIXING PLATE-KTY GR		
5	431162020	SUPPORT SURVEY CAMERA PLACEMENT		
6	431237000	SUPPORT PROTECTION RESISTANCE/ ELECTRODE		
7	431257010	GROUP WASHER		
8	431914010	MOTOR 24V 420RPM		
9	461079000	SPRING GUIDE UPPER PISTON		
10	461080000	SPRING FOR UPPER PISTON		
11	461083000	FLANGE	G:D50	
11	461086000	FLANGE	G:D44	
12	461110000	PISTON	G:D44	
12	461111000	PISTON	G:D50	
13	461114015	PISTON HOLDER	G:D50	
13	461115015	PISTON HOLDER	G:D44	
14	461518000	SHOWER		
15	532652000	CONNECTION		
16	532652210	UNION		
17	537050610	KIT COFFEE GROUP SNAILS		
18	537050710	KIT COFFEE GROUP SNAILS-SCREW		
19	936045000	RING BENZING CLOSURE PHOTOELECTRIC CELL		
20	936188000	UPPER PISTON SPACER		
21	936197000	SCREW M4X14 SS		
22	938065000	SEAT FOR NUT		
23	938890010	SPARE CHAMBER D.44 (REPL. 938890000)	G:D44	
23	938891010	CHAMBER D.50 SPARE PARTS	G:D50	
24	966485000	CARTRIDGE RESISTOR WITH CONNECTOR		
25	966486000	TEMPERATURE SENSOR		

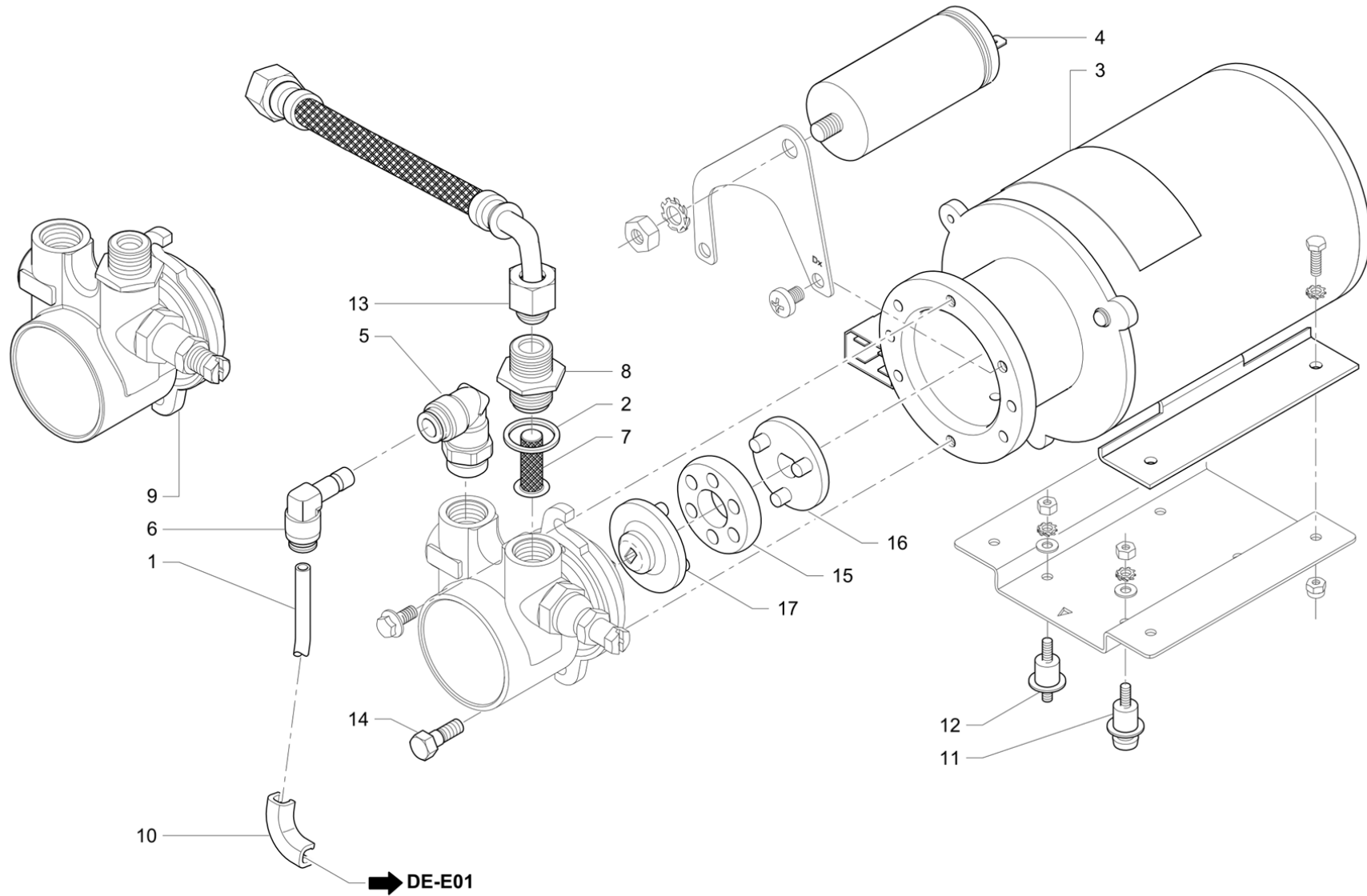


Pos	Part Number	Description	Validity	Notes
1	220000021	TEFLON TUBE D 2,5X4		
2	220000052	TYGON TUBE		
3	401397000	SCRAPER		
4	402186010	OR 34.52X3.53 PLATIN. GASKET	G:D44	
4	402187010	OR-GASKET 39,69X3,53	G:D50	
5	402217000	GASKET 8,73X1,78 NF		
6	402245000	GASKET 50,47X2,62	G:D44	
6	402246000	O RING 55,25X2,62	G:D50	
7	429600000	SCREW M4X8 SS		
8	431020030	FIXING SUPPORT COFFEE PAD K/O LEVER		
9	431021020	CAM PIVOT		
10	431022010	CAM		
11	431023027	INSULATE TUBE		
12	431025015	TERMINAL BODY PART		
13	431034000	PAD PLATE		
14	431036020	CONTRAST SPRING LOWER PISTON		
15	431054010	PIVOT ROD KNOCKOUT		
16	431055020	SPRING 2 RELEASE LOWER PISTON		
17	431067000	FILTER ø 44	G:D44	
17	431416000	FILTER ø 50	G:D50	
18	431153020	SPRING 1 RELEASE LOWER PISTON		
19	431260000	RING WITH SCRAPER		
20	431516030	GROUNDS KNOCKOUT LEVER		
21	461054050	SPRING		
22	532650800	UNION FOR DELIVERY 1/8		
23	537046300	KIT BUSH FOR MOVEMENT SCREW		
24	580105600	BEARING		
25	931197020	LEFT CHAMBER GROUP PROTECTION		
26	931198030	RIGHT CHAMBER GROUP PROTECTION		
27	931301000	GUIDE RELEASE COFFE PAD K/O LEVER		
28	932768000	FILTER § 44 M2	G:D44	
28	933735000	FILTER § 50 M2	G:D50	
29	936073010	SPACER M4		
30	936159025	CHAMBER BASE Diam. 44	G:D44	
30	936175025	CHAMBER BASE D.50	G:D50	
31	936161000	BRACKET FOR STEPSEAL ROD GUIDE		
32	936210000	PIPE FIXING		
33	936214000	SPACER FOR BEARING		
34	944704020	PISTON ASS. W/BASE DIAMETER 44	G:D44	
34	944705020	PISTON ASS. W/BASE DIAMETER 50	G:D50	
35	944706010	PISTON ASSY 44 STEPSEAL SP. PARTS	G:D44	
35	944707020	PISTON ASS. 50 STEPSEAL SP.PART	G:D50	
	⇌ 944707010	PISTON ASSY 50 STEPSEAL SP. PARTS	G:D50	
36	944708000	GASKET SCRABER KIT		
37	944715000	COFFEE PAD SHOOT		

Pos	Part Number	Description	Validity	Notes
38	966412010	LOWER GROUP PROTECTION		
39	944050000F	STAINLESS STEEL FILTER GUIDE		

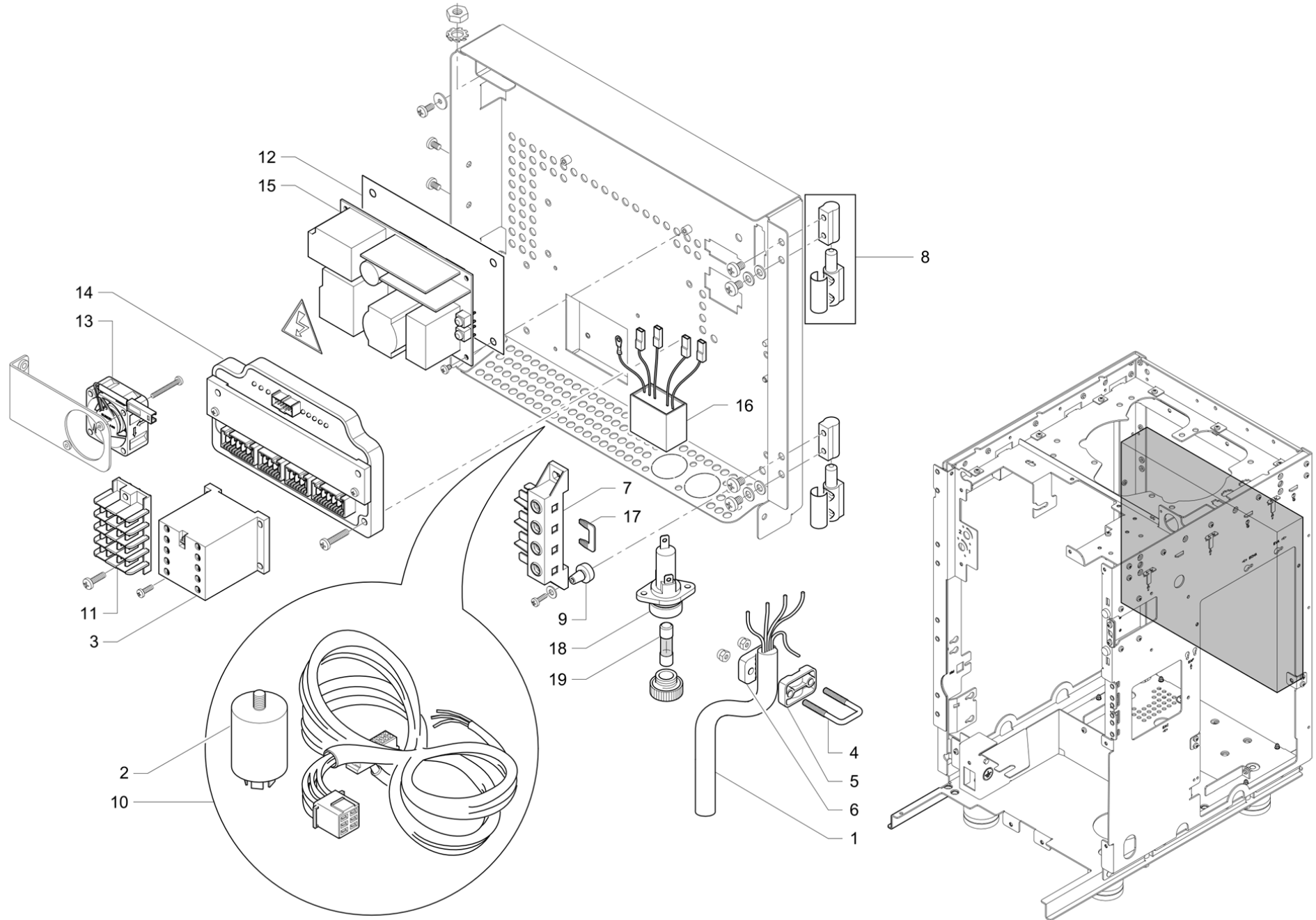


Pos	Part Number	Description	Validity	Notes
1	431030060	SUPPORT PLATE		
2	431173010	SHAFT GUIDE SPOUTS		
3	431380040	LOWER COFFEE GROUP PLATE		
4	523104080	SCREW 4X8		
5	523135120	SCREW AUTO.T.C.CR. 3,5X12		
6	532141400	CABLE SUPPORT		
7	532162200	CABLE FASTENER		
8	535725008	4 PHOTOELECTRIC CELLS WITH WIRING		
9	537043920	COFFEE SLUICE-VALVE		
	⇒ 537043910	COFFEE SLUICE VALVE		
10	542908080	NUT M8		
11	932011000	HANDLE		
12	932012000	COLLAPSIBLE COFFEE PLUG SUPPORT		
13	932013010	TILTER SUPPORT		
	⇒ 932013000	COLL. COFFEE GRINDED COLLECTOR SUPPORT		
14	932014040	TILTER PLATE		
	⇒ 932014030	TILTER PLATE (REPLACES 932014020)		
15	932027030	TILTER SPRING (REPLACES 932027020)		
	⇒ 932027010	COLLAPSIBLE GRINDED COLLECTOR SPRING		
16	932028010	TILT. MECH. PLUG		
	⇒ 932028000	TILT. MECH. PLUG		
17	936046000	UPPER PISTON SUPPORT 4 PHOTOEL.CELLS		
18	537056100	DUCT KIT		
19	936142000	MAIN SHAFT CROMPLATED		
20	938064000	GROUP ROD WASHER		
21	966313020	LOWER GROUP ANCHORING		
22	966368010	COLLAR SCREW		
23	966408020	CONNECTOR SQUARE		
24	966484001	FIXING SPACER		
25	966554000	UPPER SPOUT SUPPORT		

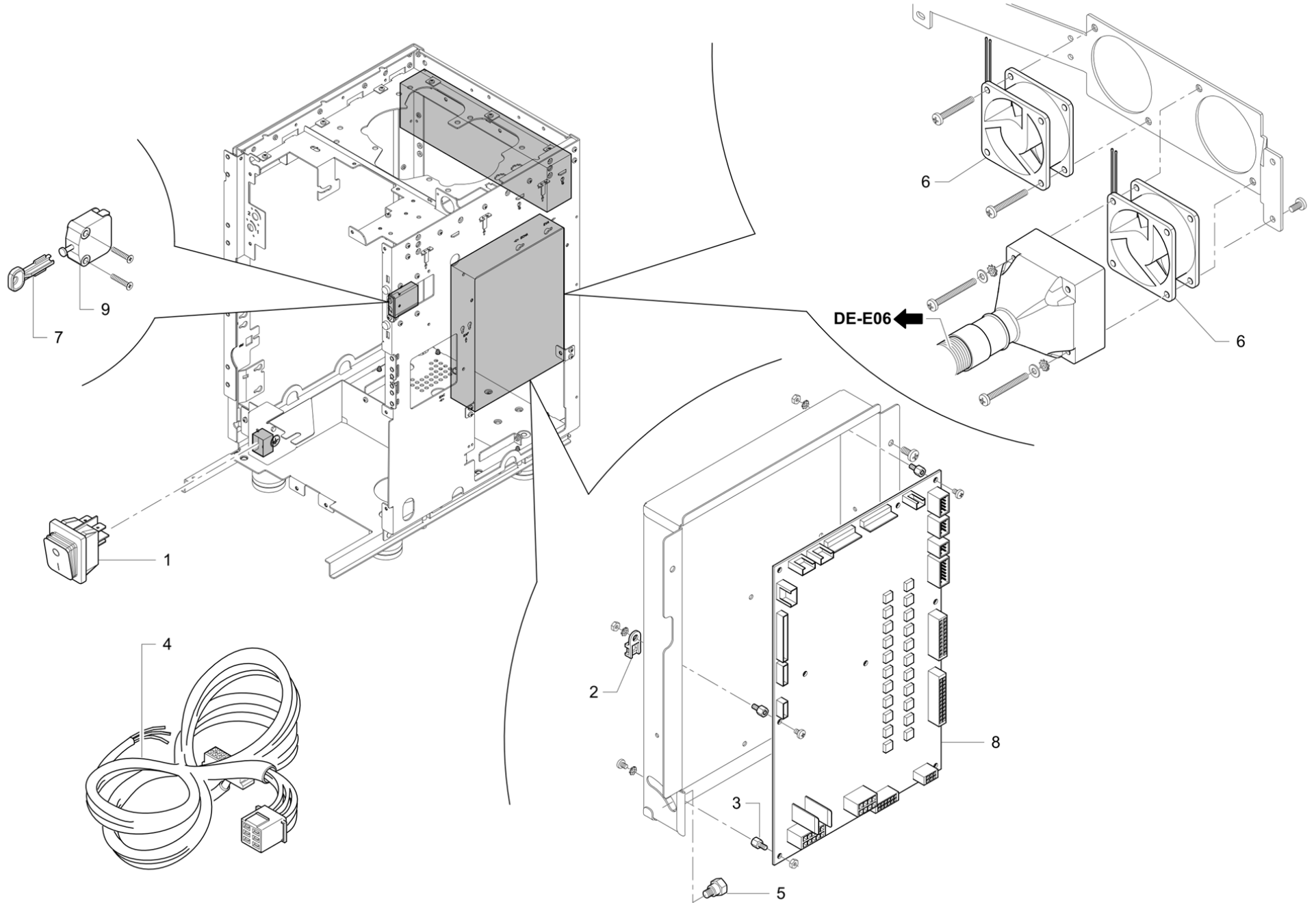




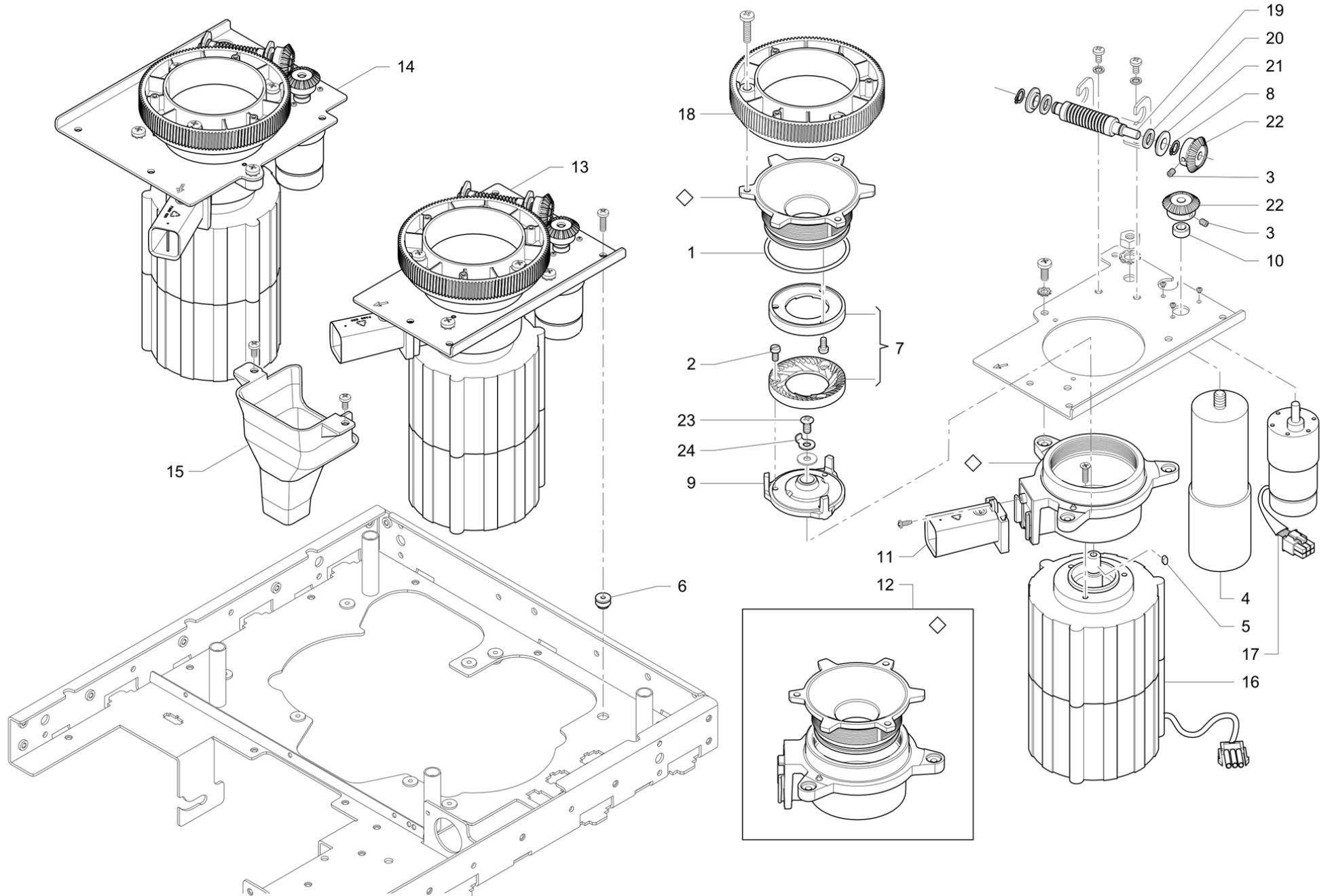
Pos	Part Number	Description	Validity	Notes
1	220000022	RISLAN PIPE 4X6		
2	401183010	GASKET 22X17X1,5		
3	530298120	PUMP 220/50 HORIZ. MOTOR		
3	530299600	PUMP 220/50 HORIZ. MOTOR UL	N:UL	
4	531494300	METAL. COND. 10 uF DUCATI 416.33.27		
4	531492900	CAPACITOR 10mF	N:UL	
5	532656200	ELBOW CONNECTOR G3/8 M ADJUSTABLE D6		
6	532656300	ELBOW CONNECTOR WITH QUICK COUPLING		
7	533100400	INSIDE FILTER		
8	533100600	JOINT 3/8X3/8		
9	533180010	180 L/h VOLUMETRIC PUMP INOX W/FILTER		
10	966026000	TUBE BENDER		
11	3251133417	RUBBER ANTIVIBRATION		
12	3251133418	RUBBER ANTIVIBRATION		
13	3951130515	PIPE 3/8X 3/8 120øMM 2200		
13	532304300	PIPE 3/8 NF	N:NSF	
14	4004136622	SCREW M6		
15	4081021923	RING		
16	4821023082	MOTOR JOINT		
17	4821108987	PUMP JOINT		



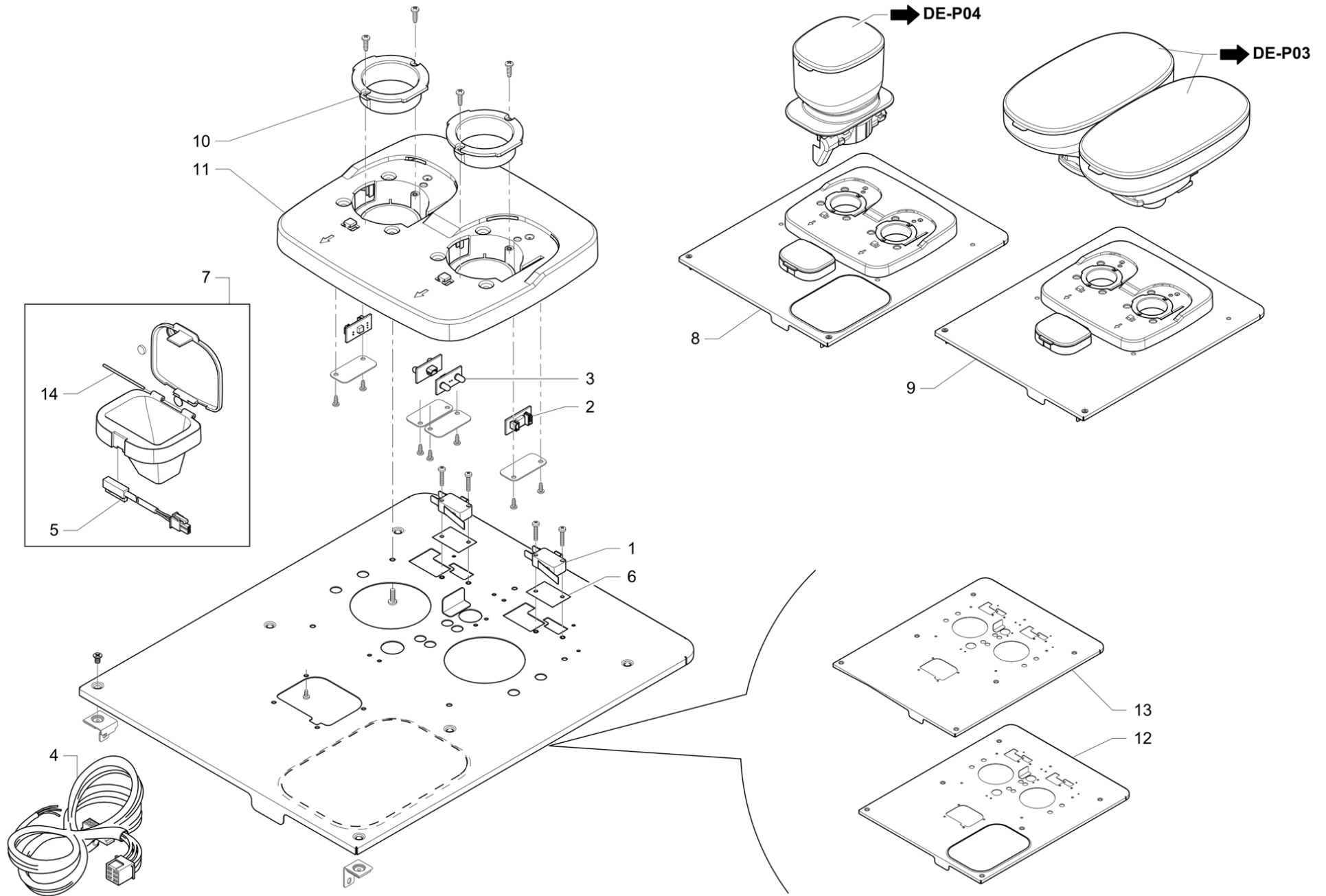
Pos	Part Number	Description	Validity	Notes
1	421214000	WIRE		
1	423060000	WIRING		
1	530112900	WIRE	N:UL	
1	530118500	MONOPHASE MAIN WIRE 3X1,5		
1	530491000	SUPPLY WIRE MONO3X4		
1	946296000	SUPPLY CABLE 5x1.5mm2	N:KTL	
1	910414010	MAIN CABLE 4X3,5	M:JP	
2	531404200	PHASE FILTER 115/250V 50/60 Hz		
3	531503520	CONTACTOR 4P 220/240V		
3	531508600	MINI-COUNTER 20A 200V 50/60Hz	M:JP	
4	532160200	FORK		
5	532160300	FIXED CABLE PRESS		
6	532160400	MOBILE CABLE PRESS		
7	532161500	TERMINAL BOARD		
8	532735600	HINGE PROFILE		
9	532805300	PRESSURE FOOT		
10	535917040	S30 Drawer cabling Diagram		
	⇒ 535917030	S30 Drawer Wiring Diagram		
11	532177500	TERMINAL BOARD 5 Poles	N:UL	
11	535933000	Terminal board		
12	966455000	MYLAR SHEET		
13	966490000	TRIAC COOLING FAN		
14	966845010	TRIAC BOARD S30 SP.PART		
	⇒ 966845000	TRIAC BOARD S30 SP. PARTS		
15	966847000	SUPPLIER PACK. ASSY S30 SP. PARTS		
16	535668000	3 PHASE FILTER C		
17	532163000	JUMPER		
18	530111000	FUSE HOLDER	N:UL	
19	530112200	FUSE CC15 A	N:UL	



Pos	Part Number	Description	Validity	Notes
1	532024500	SWITCH		
1	532091300	GREEN BIPOLAR SWITCH	N:KTL	
2	532141400	CABLE SUPPORT		
3	532143400	SPACER M3XH.5		
4	535925030	S30 HV CABLE		
5	916072010	CONTROL PANEL PIN		
6	940410000	FAN 24V DC		
7	946842000	SERVICE KIT		
	⇒ 966158000	MIXER ACTIVATION KEY - WITH TABLES S30-		
8	966846010	CPU BOARD ASS.		
	⇒ 966846000	CPU BOARD ASSEMBLY S30 SP. PARTS		
9	3341133478	SAFETY SWITCH 250V		

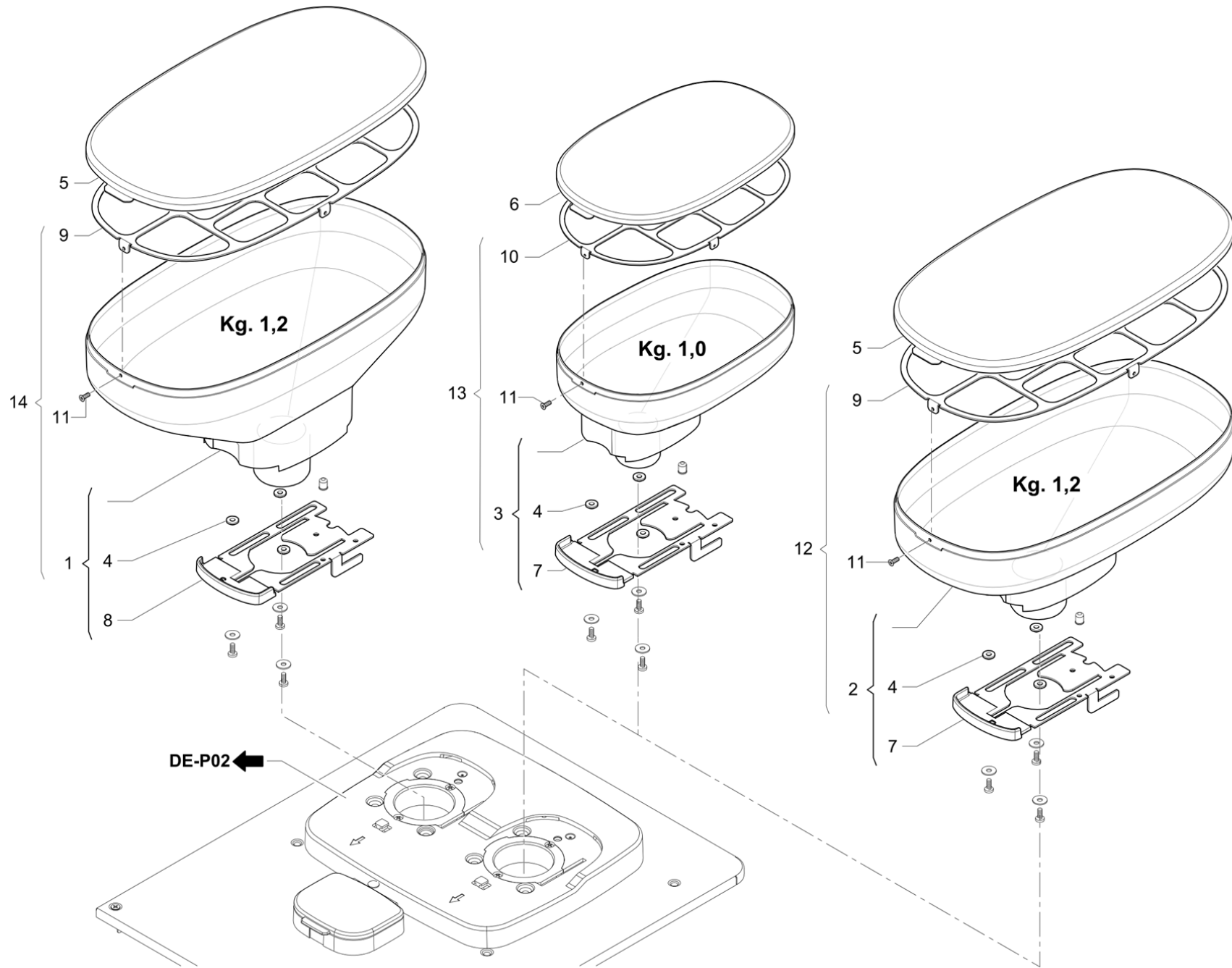


Pos	Part Number	Description	Validity	Notes
1	402246000	O RING 55,25X2,62		
2	500004080	M4X8 SCREW UNI 6107 INOX		
3	512604060	S.S. M3X5 SCREW		
4	531494200	CONDENSER 14mf MET. 416333929		
4	531494600	CONDENSER 18 µF	N:UL	
5	532744200	PIN		
6	532803100	RUVEBLOC RUBBER M4X12,6		
7	537054800	GRINDERS PAIR CLOCKWISE ROT. 54X7.4		
8	568208080	RING 8 UNI S.S.		
9	946008020	GRINDER HOLDER		
10	946135000	GRIND.ADJUST. CONICAL PAIR SPACER		
11	946502000	DUCT ASSEMBLY		
12	946700000	MOTOR HOLDER ASS.		
12	946700008	BODY AND RING NUT ASS. NSF	N:NSF	
13	946781000	RIGHT GRINDER ASSEMBLY WITH SP. PARTS		
13	946914000	RH GRINDER ASSEMBLY UL SP. PART	N:UL	
14	946782000	LEFT GRINDER ASSEMBLY WITH SP. PARTS		
14	946915000	LH GRINDER ASSEMBLY UL SP. PART	N:UL	
15	537056100	DUCT KIT		
	≙ 966159000	INTERMEDIATE COFFEE CHUTE		
16	966186010	UNIFIED MD MOTOR		
16	966187000	MD MOTOR US version (UL)	N:UL	
17	966519000	UNIFIED GEARED MOTOR		
18	971011000	CONIK BT COGWHEEL		
19	971014010	CONIK BT WORM SCREW		
20	971015010	CONIK BT AXIAL WASHER		
21	971016000	SLEEVE FOR MOTORISED CONIK		
22	971032010	CONICAL GEAR M1 SBMB10/25 type 1		
23	944052000F	COUNTERSINK HEAD SCREW M5X10		
24	936318000	MIXER FOR GRINDER		

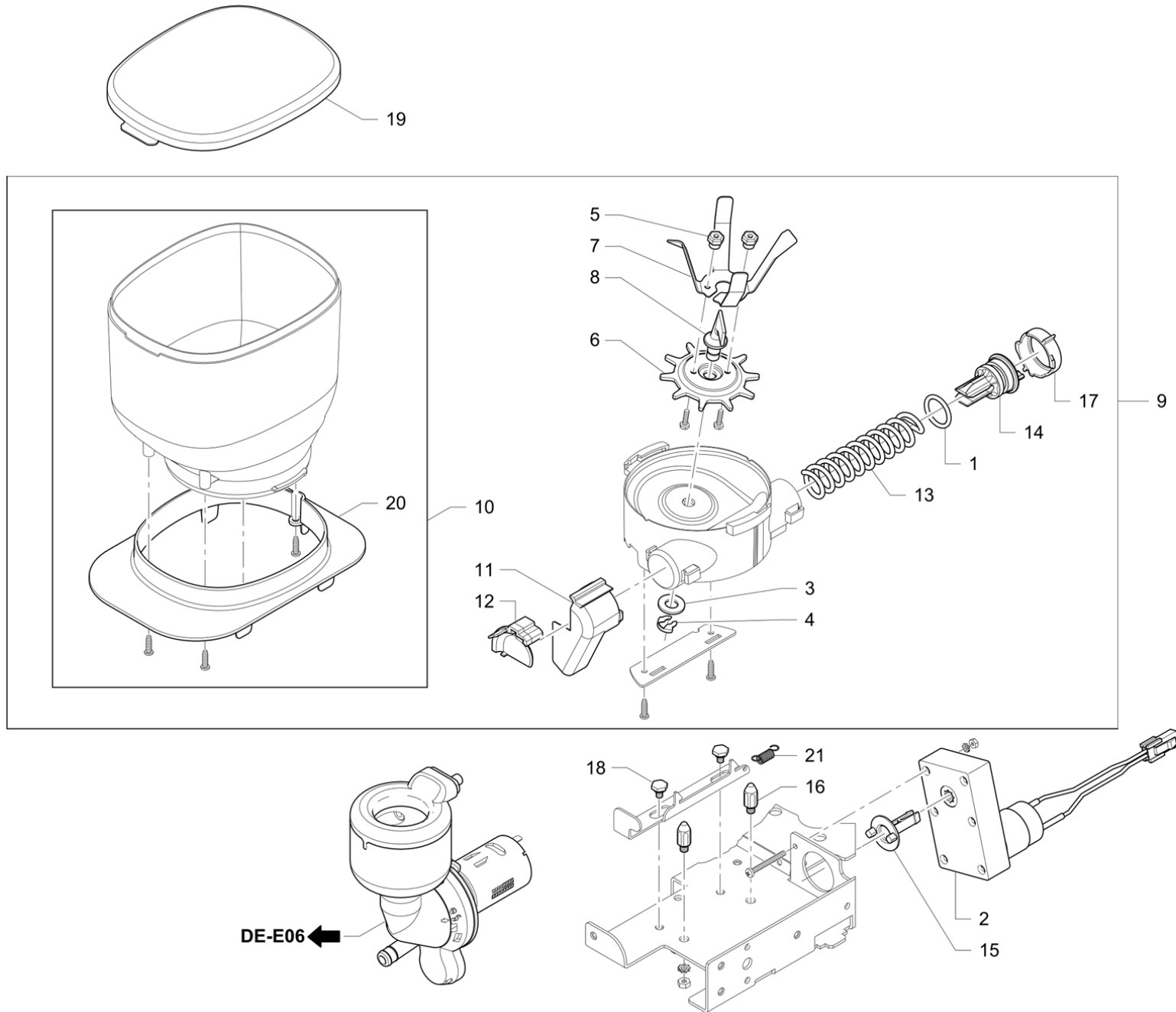




Pos	Part Number	Description	Validity	Notes
1	532024800	MICRO(6)A 250V		
1	532025000	MICRO SWITCH 21A-250V	N:UL	
2	535535008	HOPPER RECEIVING BOARD		
3	535536008	HOPPER SENDING BOARD		
4	535929020	COFFEE / DECAFFEINATED SENSOR		
5	535947000	WASHING BASIN PRESENCE SENSOR S30		
6	940253000	MICROSWITCH INSULATING		
7	946814000	DECAFFEINATED CHUTE ASSEMBLY		
8	946818000	COMPLETE UPPER PANEL ASS. CS		
8	946932000	COMPLETE TOP PANEL ASS. NSF	N:NSF	
9	946819000	COMPLETE UPPER PANEL ASS.		
9	946918000	COMPLETE TOP PANEL ASS. NSF	N:NSF	
10	966229000	COFFEE SENSOR GLASS		
11	966234000	DOUBLE COFFEE HOPPER BASE		
12	966562000	UPPER PLATE OF COMPLETE ASSEMBLY		
13	966563000	UPPER PLATE OF COFFEE-ONLY ASSEMBLY		
14	966452000F	DECAFFEINATED CHUTE HINGE SHAFT		



Pos	Part Number	Description	Validity	Notes
1	946800000	1.2 Kg HOPPER ASSEMBLY		
1	946916000	LH HOPPER ASS. KG. 1.2 UL SP.PART	N:NSF	
2	946801000	RH 1.2 Kg HOPPER ASSEMBLY		
2	946917000	RH HOPPER ASS. KG. 1.2 UL SP. PART	N:NSF	
3	946802000	RH 1 Kg HOPPER ASSEMBLY		
3	946919000	HOPPER ASS. KG.1 UL	N:NSF	
4	966227000	SHUTTER SLIDE BUSHING		
5	966231010	HOPPER COVER		
6	966233010	SMALL COFFEE HOPPER COVER		
7	966578000F	RH HOPPER SHUTTER		
8	966579000F	LH HOPPER SHUTTER		
9	946286000	ANTI-INTRUSION GRID 1	N:NSF	
10	946287000	ANTI-INTRUSION GRID 2	N:NSF	
11	501703081	TSVTC SCREW M3X8 NYLON		
12	946924000	HOPPER ASS. Kg.1.2 RH. UL WITH GRILLE	N:NSF	
14	946923000	HOPPER ASS. Kg.1.2 LH. UL WITH GRILLE	N:NSF	
13	946955000	HOPPER ASS. Kg.1 UL WITH GRILLE	N:NSF	



Pos	Part Number	Description	Validity	Notes
1	402215000	GASKET		
2	530892410	STAR COUPLING GEARED MOTOR		
3	532715400	WASHER D. 8,4X17X1,6		
4	532745700	LOCKING RING		
5	940414000	NUT M3		
6	946046000	TOOTHED WHEEL FOR SOLUBLE MIXES		
7	946047010	STAINLESS STEEL BLADES FOR SOLUBLES		
8	946048010	STIRRER PIN		
9	946803000	SOLUBLES HOPPER ASSEMBLY		
10	946815000	SOLUBLES HOPPER W/ADAPTER		
11	966171000	PRODUCT EXIT SLIDE		
12	966172000	PRODUCT SLIDE CLOSING		
13	966174000	SOLUBLE DISPENSING SPRING - 9MM STEP		
14	966175000	SPIRAL PULLING PIN		
15	966176000	FORK PINION		
16	966178000	SOLUBLE CONTAINER CENTRING PIN		
17	966181000	REAR FIXING CROWN		
18	966182010	HOOK SLIDE PIN WITH RUVECO		
	⇌ 966182000	HOOK SLIDE PIN		
19	966241010	SOLUBLE HOPPER COVER		
20	966242000	SOLUBLE HOPPER ADAPTER		
21	966293000	TRACTION SPRING		

*LA CIMALI*