

Traditional coffee machines

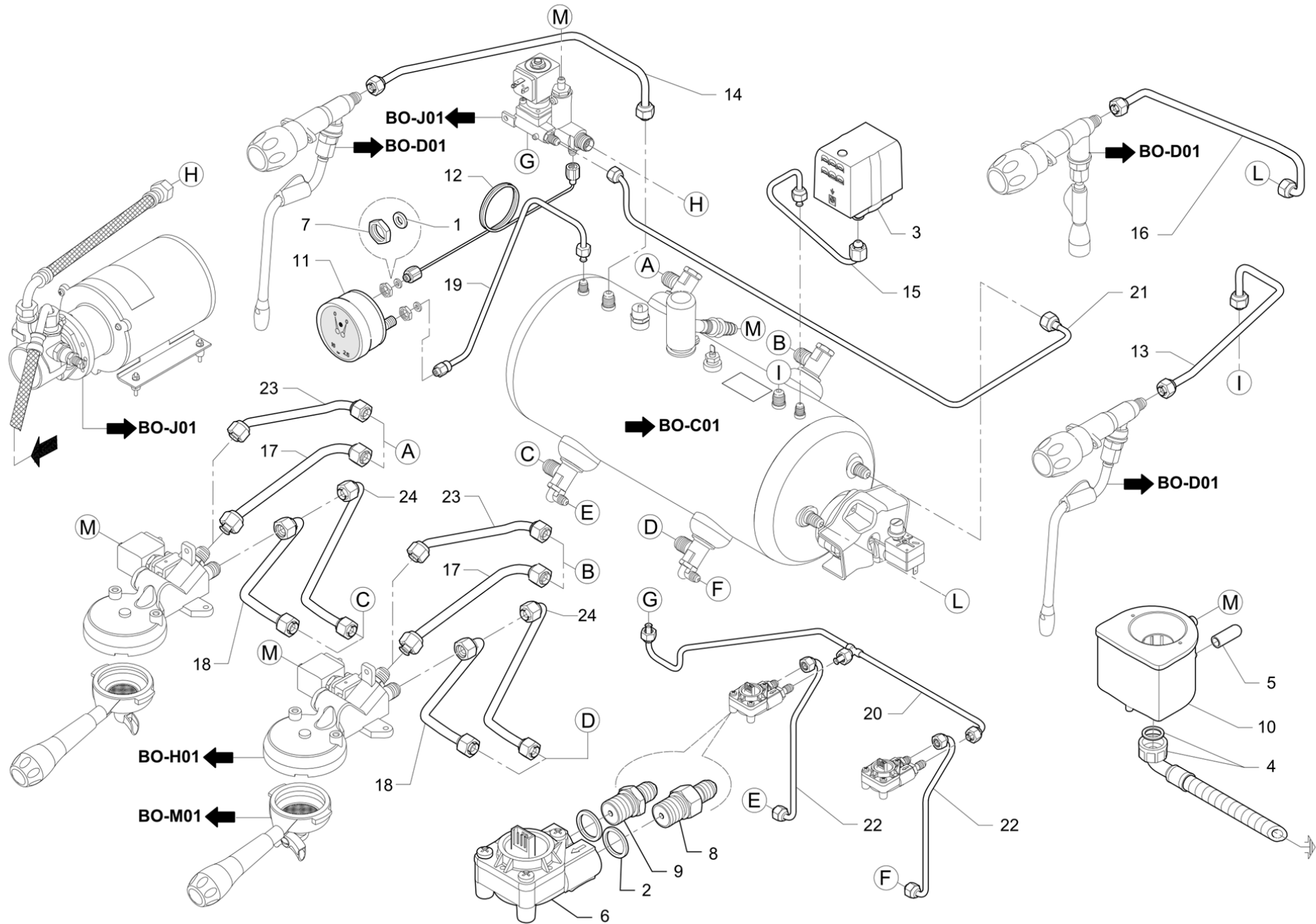


UNDICI

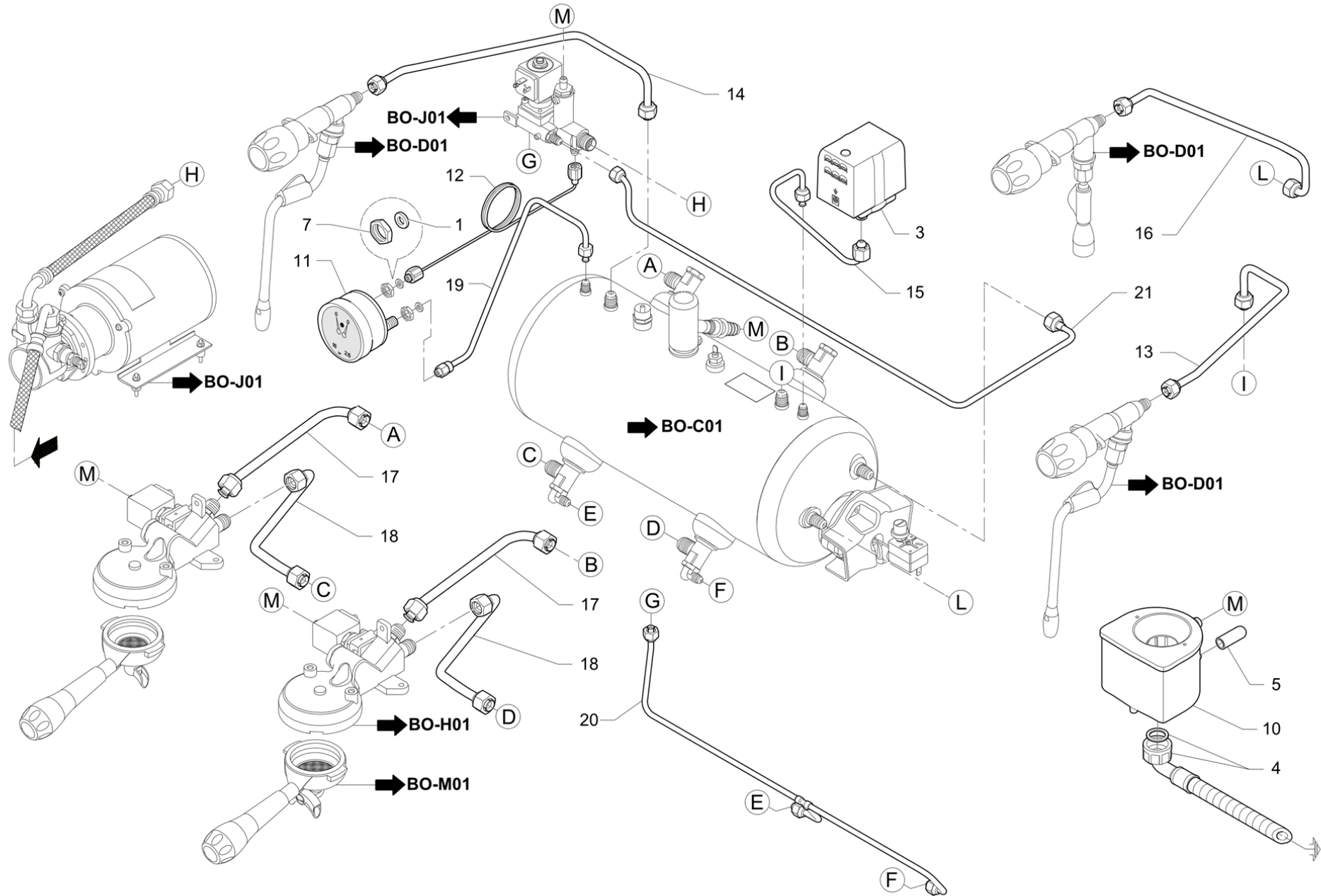
INDEX

Undici - Generic table	2
Hydraulic circuit A	3
Hydraulic circuit S	5
Coachwork	7
PUSH BUTTON STRIP - UNDICI	10
Boiler Equipment	12
Water and Steam Taps	14
Brewing group	16
Volumetric pump	18
Electrical box	20
Electrical box UNDICI T	22
Filterholders and filters	24
PRIMARY SPARE PARTS	26

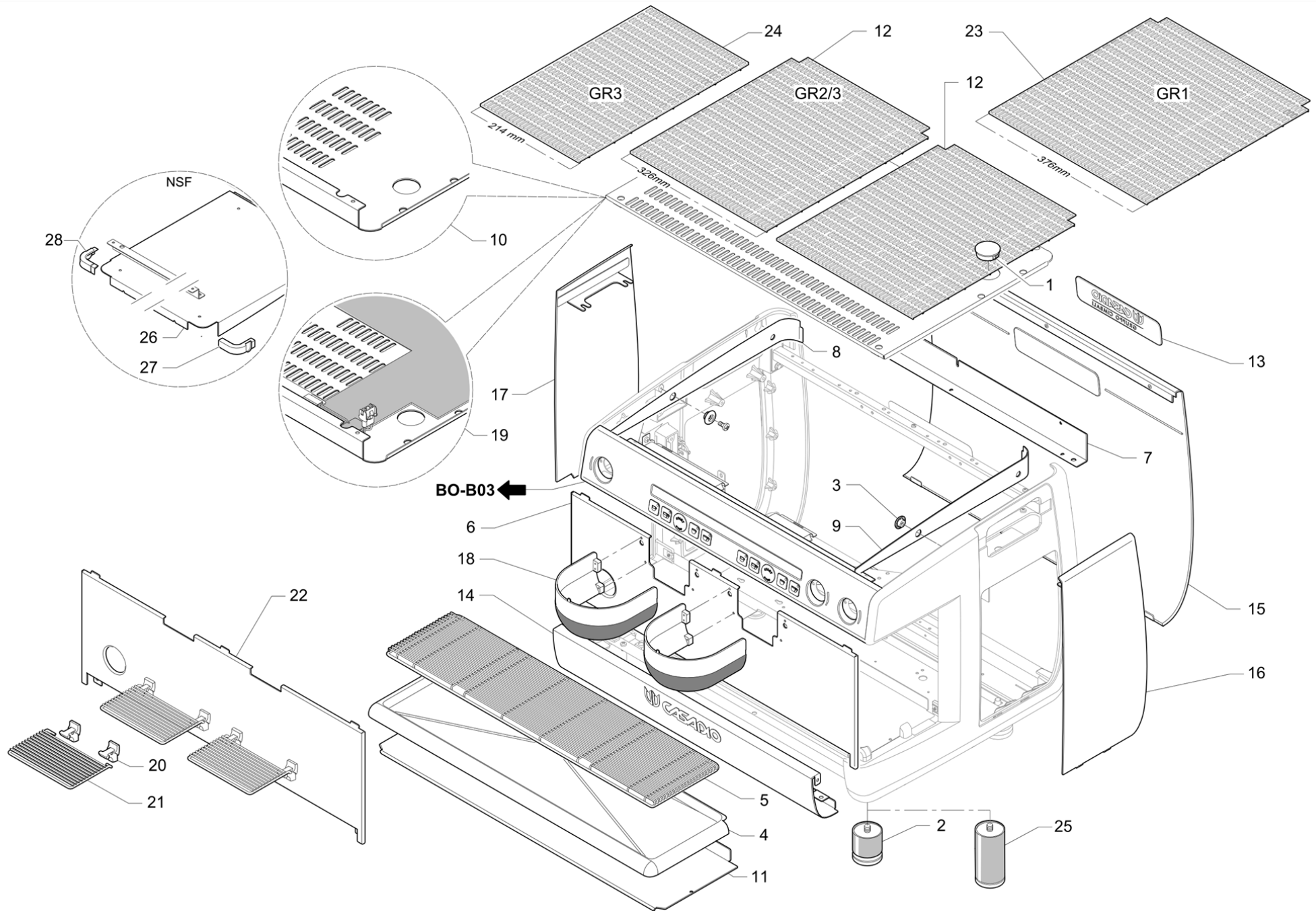
Pos	Part Number	Description	Validity	Notes
-	978513010	COFFEE SELECTION GROUP		
	⇔ 978513000	COFFEE SELECTION GROUP		
-	978515010F	BOILER ASSEMBLY - 1 GROUP		
	⇔ 978515000F	ASSIEME CALDAIA 1 GRUPPO		
-	966492000	SAFETY VALVE PROTECTION		
-	978098010	PERSONALISED LABEL - 1 GROUP		
	⇔ 978098000	FRONT PERSONALISATION LABEL 1 GR		
-	535937010	THREE-PHASE HIGH VOLTAGE WIRING		
-	978529010F	TUBE 1 GROUP SEMI-AUTOMATIC		
-	978556010F	TUBE 3 GROUPS SEMIAUTOMATIC		
-	978752010F	TUBE 2 GROUPS SEMIAUTOMATIC		
-	978155010	1 GR CUP-WARMER PLATE UL/NSF		
	⇔ 978155000	CUP-WARMER PLATE NSF - 1 GROUP		
-	978144010	2 GR CUP-WARMER PLATE UL/NSF		
	⇔ 978144000	CUP-WARMER PLATE NSF - 2 GROUPS		
-	978162010	3 GR CUP-WARMER PLATE UL/NSF		
	⇔ 978162000	CUP-WARMER PLATE NSF - 3 GROUPS		
-	947122020	SLUICE-VALVE SEAL		
-	978173000	2GR GUARD UNDICI UL/NSF		
	⇔ 978041000	2 GROUP GUARD		
-	978176000	1GR GUARD UNDICI UL/NSF		
	⇔ 978072000	PROTECTION - 1 GROUP		
-	978175000	3GR GUARD UNDICI UL/NSF		
	⇔ 978112000	PROTECTION - 3 GROUPS - WITH UNDICI TABL		
-	530119700	POWER SUPPLY CABLE		
-	978015010F	NIPPLE 1/4 x3/8		
-	958072020	NIPPLE 1/8 X 1/8 NOZZLE 0.8		
-	534393400F	VOLUMETRIC COUNTER		
-	402329000F	COPPER GASKET 16 X 10 X 1.5		
-	958366000F	NIPPLE 1/8 X 1/8		
-	958365000F	NIPPLE 1/8 X 1/8" H=10.		
-	978064010	CUSTOMISATION LABEL		
-	978506010	BASE LOWER PANEL ASSEMBLY 2GR		
-	978517010	BASE LOWER PANEL ASSEMBLY 1GR		
-	978553010	BASE LOWER PANEL ASSEMBLY 3GR		
-	457425008F	GRUPPO CAFFE' C/DISCO EROG. NSF 372		
-	457424008F	GRUPPO CAFFE' C/DISCO EROG. RUV.		
-	959775020	ASSIEME VASCHETTA DI SCARICO 5 INGRESSI		



Pos	Part Number	Description	Validity	Notes
1	401196010	GASKET 8,5X4,5X1,5		
2	402302000	GASKET 17X13,2X1X5		
3	532195500	PRESSOSTAT		
4	532390600	DRAIN PIPE		
5	532740610	CAP		
6	534393100	FLOWMETER WITH ADAPTOR		
7	590133000	COUNTER NUT 1/8		
8	952011000	NIPPLE 1/4 X 1/8"		
9	958133020	NIPPLE 1/4 X 1/8		
10	959775020	ASSIEME VASCHETTA DI SCARICO 5 INGRESSI		
	⇒ 959775010	DRAINAGE BASIN ASS. WITH 5 INPUTS		
11	978017000	DOUBLE SCALE PRESSURE GAUGE		
12	3951133673	TUBE FOR GAUGE		
13	978738000F	RH STEAM TUBE		
13	978738008F	RH STEAM TUBE NSF		N:NSF
14	978739000F	LH STEAM TUBE		
14	978790000F	LH STEAM TUBE - 1 GROUP		
14	978790008F	LH STEAM TUBE NSF - 1 GROUP		N:NSF
14	978739008F	LH STEAM TUBE NSF		N:NSF
15	978740000F	PRESSURE SWITCH TUBE		
15	978521000F	PRESSURE SWITCH TUBE - 1 GROUP		
16	978741000F	WATER INTAKE TUBE		
16	978520000F	WATER INTAKE TUBE - 1 GROUP		
17	978743000F	LV COFFEE GROUP UPPER TUBE		
17	978786000F	UPPER COFFEE GROUP TUBE - 1 GR LV		
18	978745000F	LV COFFEE GROUP LOWER TUBE		
18	978787000F	LOWER COFFEE GROUP TUBE - 1 GR LV		
19	978747000F	PRESSURE GAUGE TUBE		
19	978523000F	PRESSURE GAUGE TUBE - 1 GROUP		
20	978748000F	FAN RAMP 2 GROUPS		
20	978525000F	SUPPLY TUBE AND VOLUMETRIC COUNTER - 1 G		
20	978555000F	FAN RAMP - 3 GROUPS		
21	978749000F	BOILER FILLING TUBE 2 GROUPS		
21	978522000F	BOILER FILLING TUBE 1 GROUP		
21	978549000F	BOILER FILLING TUBE 3 GROUPS		
22	978750000F	BOILER FAN TUBE		
22	978524000F	BOILER FAN TUBE - 1 GROUP		
23	978744000F	UPPER COFFEE GROUP TUBE HV		
23	978788000F	UPPER COFFEE GROUP TUBE - 1 GR HV		
24	978746000F	LOWER COFFEE GROUP TUBE HV		
24	978789000F	LOWER COFFEE GROUP TUBE - 1 GR HV		

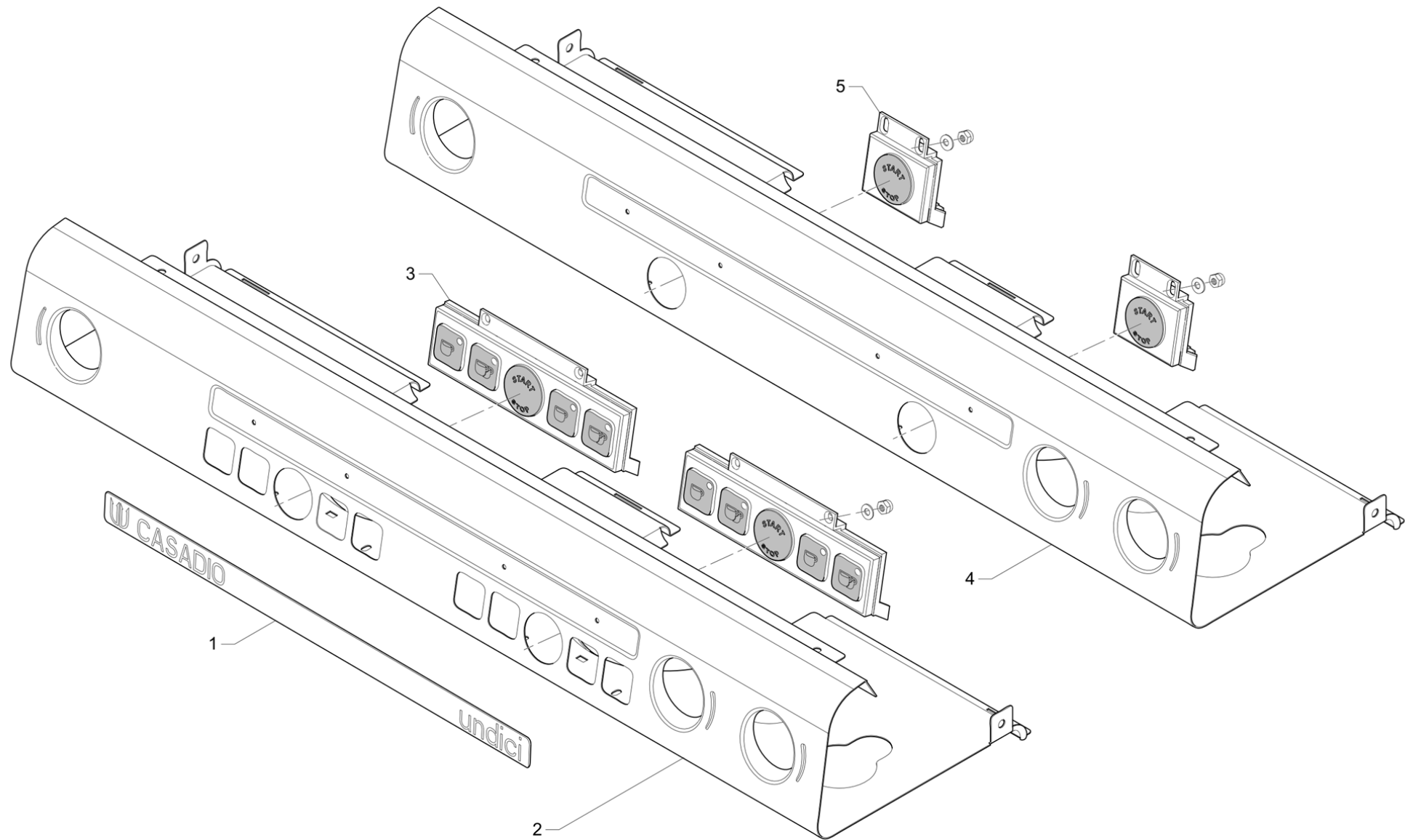


Pos	Part Number	Description	Validity	Notes
1	401196010	GASKET 8,5X4,5X1,5		
3	532195500	PRESSOSTAT		
4	532390600	DRAIN PIPE		
5	532740610	CAP		
7	590133000	COUNTER NUT 1/8		
10	959775020	ASSIEME VASCHETTA DI SCARICO 5 INGRESSI		
	⇒ 959775010	DRAINAGE BASIN ASS. WITH 5 INPUTS		
11	978017000	DOUBLE SCALE PRESSURE GAUGE		
12	3951133673	TUBE FOR GAUGE		
13	978738000F	RH STEAM TUBE		
14	978739000F	LH STEAM TUBE		
14	978790000F	LH STEAM TUBE - 1 GROUP		
15	978740000F	PRESSURE SWITCH TUBE		
15	978521000F	PRESSURE SWITCH TUBE - 1 GROUP		
16	978741000F	WATER INTAKE TUBE		
16	978520000F	WATER INTAKE TUBE - 1 GROUP		
17	978743000F	LV COFFEE GROUP UPPER TUBE		
17	978786000F	UPPER COFFEE GROUP TUBE - 1 GR LV		
18	978745000F	LV COFFEE GROUP LOWER TUBE		
18	978787000F	LOWER COFFEE GROUP TUBE - 1 GR LV		
19	978747000F	PRESSURE GAUGE TUBE		
19	978523000F	PRESSURE GAUGE TUBE - 1 GROUP		
20	978752010F	TUBE 2 GROUPS SEMIAUTOMATIC		
	⇒ 978752000F	RAMP 2 GROUPS SEMI-AUTOMATIC		
20	978529010F	TUBE 1 GROUP SEMI-AUTOMATIC		
	⇒ 978529000F	TUBE 1 GROUP SEMI-AUTOMATIC		
20	978556010F	TUBE 3 GROUPS SEMIAUTOMATIC		
	⇒ 978556000F	RAMP 3 GROUPS SEMI-AUTOMATIC		
21	978749000F	BOILER FILLING TUBE 2 GROUPS		
21	978522000F	BOILER FILLING TUBE 1 GROUP		
21	978549000F	BOILER FILLING TUBE 3 GROUPS		

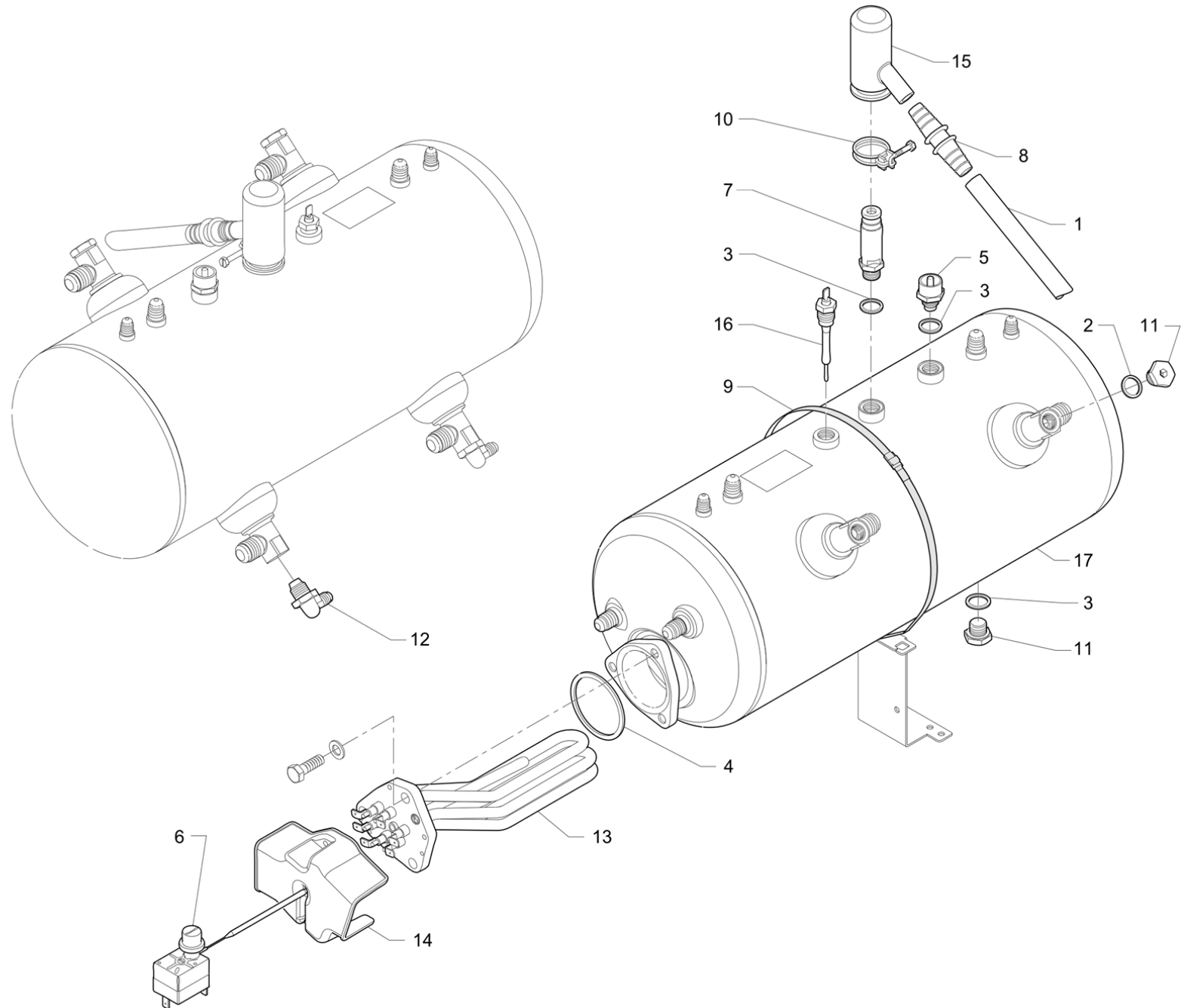


Pos	Part Number	Description	Validity	Notes
1	532724400	SCREW PLUG ø38		
2	532805000	ADJUSTABLE FOOT		
3	930081000	PREXIGLASS RING		
4	958095010	CUP TRAY GR2		
4	958112000	CUP TRAY GR1		
4	958152010	CUP TRAY GR3		
5	958105000	GRATED CUP TRAY 2GR		
5	958169000	GRATED CUP TRAY 1GR		
5	958170000	GRATED CUP TRAY 3GR		
6	978031000	LV 2 GROUP SLUICE-VALVE		
6	978076000	SLUICE VALVE 1 GROUP LV		
6	978118000	SLUICE VALVE 3 GROUPS LV		
7	978033000	2 GROUP PANEL BUFFERING		
7	978115000	PANEL BUFFER - 3 GROUPS		
7	978075000	PANEL BUFFER - 1 GROUP		
8	978034000	LH SIDE CUP-WARMER		
9	978035000	RH SIDE CUP-WARMER		
10	978040000	2 GROUPS CUP-WARMER PLATE		
10	978079000	CUP-WARMER PLATE - 1 GROUP		
10	978114000	CUP-WARMER PLATE - 3 GROUPS		
11	978173000	2GR GUARD UNDICI UL/NSF	N:NSF	
11	978176000	1GR GUARD UNDICI UL/NSF	N:NSF	
11	978175000	3GR GUARD UNDICI UL/NSF	N:NSF	
12	978057000	GRILLE FOR DIECI CUP-WARMER PLATE		
13	978064010	CUSTOMISATION LABEL		
	⇒ 978064000	REAR CUSTOMISATION LABEL		
14	978506010	BASE LOWER PANEL ASSEMBLY 2GR		
	⇒ 978506000	2GR LOWER PANEL BASE ASSEMBLY		
14	978517010	BASE LOWER PANEL ASSEMBLY 1GR		
	⇒ 978517000	LOWER BASE PANEL ASSEMBLY 1G		
14	978553010	BASE LOWER PANEL ASSEMBLY 3GR		
	⇒ 978553000	LOWER BASE PANEL ASSEMBLY 3G		
15	978507010	2GR REAR PANEL ASSEMBLY		
15	978518000	REAR PANEL ASSEMBLY 1 GR		
15	978552000	REAR PANEL ASSEMBLY 3 GR		
16	978508000	RH SIDE PANEL ASSEMBLY		
17	978509000	LH SIDE PANEL ASSEMBLY		
18	978510010	COFFEE GROUP GUARD ASSEMBLY		
19	978511000	CUP-WARMER PLATE WITH RESISTANCE		
19	978551000	3 GR CUP-HEATER COUNTER WITH RESISTANCE		
20	958159010	GRATED CUP TRAY GUIDE VA		
21	958160000	CUP HOLDER GRID HV		
22	978754000	SLUICE VALVE WITH GRILLES HV		
22	978805000	SLUICE VALVE WITH GRILLES - 1 GR HV		

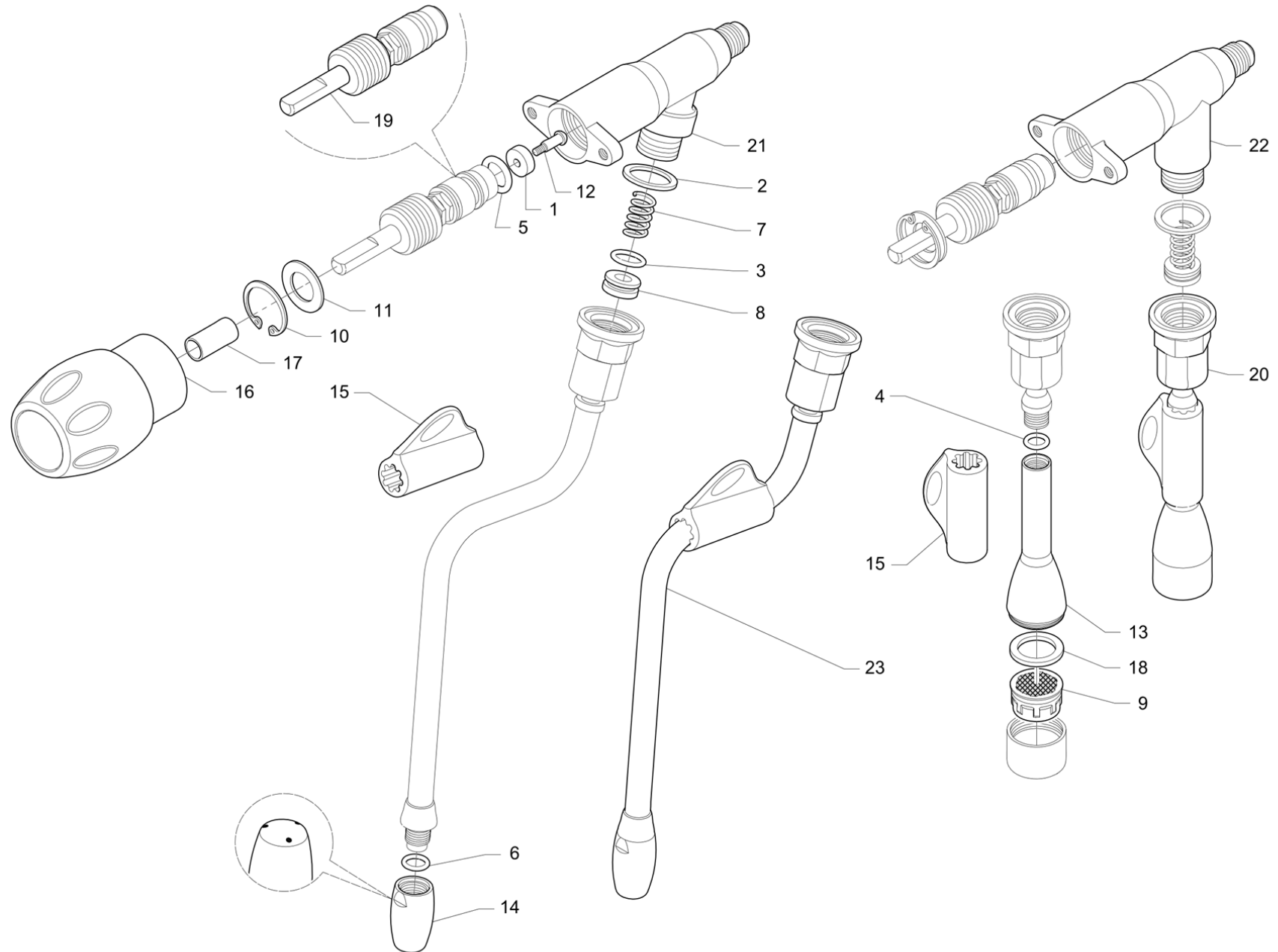
Pos	Part Number	Description	Validity	Notes
22	978865000	SLUICE VALVE WITH GRILLES 3 GR HV		
23	978082000	GRILLE FOR CUP-WARMER PLATE DIECI 1GR		
24	978121000	CUP-WARMER PLATE GRILLE - 3 GROUPS		
25	532805500	NYLON/STAINLESS STEEL ADJ. FOOT H105/137	N:NSF	
26	978155010	1 GR CUP-WARMER PLATE UL/NSF	N:NSF	
26	978144010	2 GR CUP-WARMER PLATE UL/NSF	N:NSF	
26	978162010	3 GR CUP-WARMER PLATE UL/NSF	N:NSF	
27	978183000	RH CUP-WARMER CORNER	N:NSF	
28	978174000	LH CUP-WARMER CORNER	N:NSF	



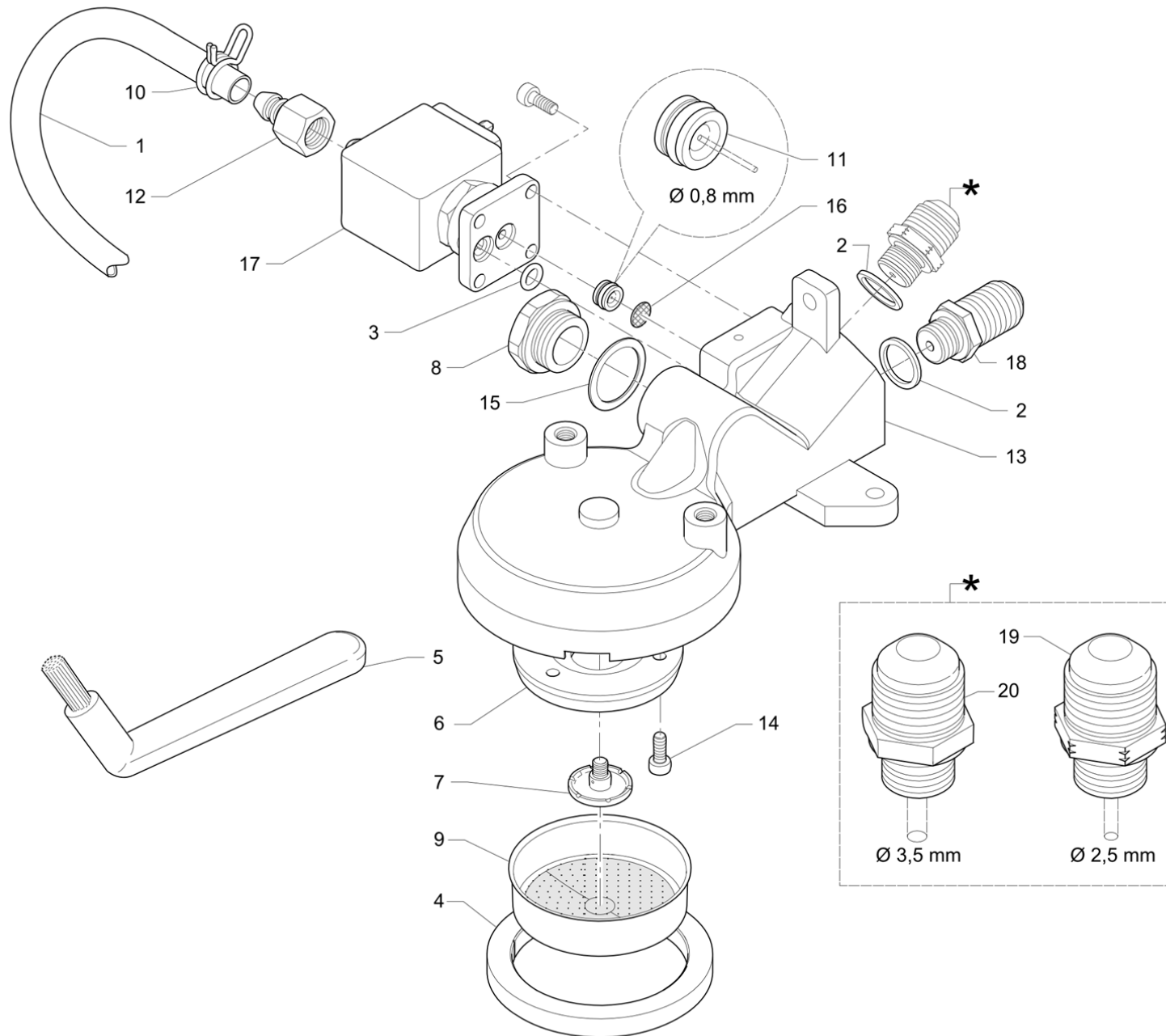
Pos	Part Number	Description	Validity	Notes
1	978063000	FRONT CUSTOMISATION LABEL		
1	978098010	PERSONALISED LABEL - 1 GROUP		
1	978120000	FRONT PERSONALISATION LABEL 3G		
2	978505010	2 GROUP COMMAND PANEL ASSEMBLY		
2	978519000	COMMAND PANEL ASSEMBLY 1 GR		
2	978554000	COMMAND PANEL ASSEMBLY 3 GR		
3	978513010	COFFEE SELECTION GROUP		
4	978526000	COMMAND PANEL ASSEMBLY 2 GR		
4	978528000	COMMAND PANEL ASSEMBLY 1 GR		
4	978557000	COMMAND PANEL ASSEMBLY 3 GR		
5	978527000	COFFEE SELECTION GROUP SEMI-AUTOMATIC		



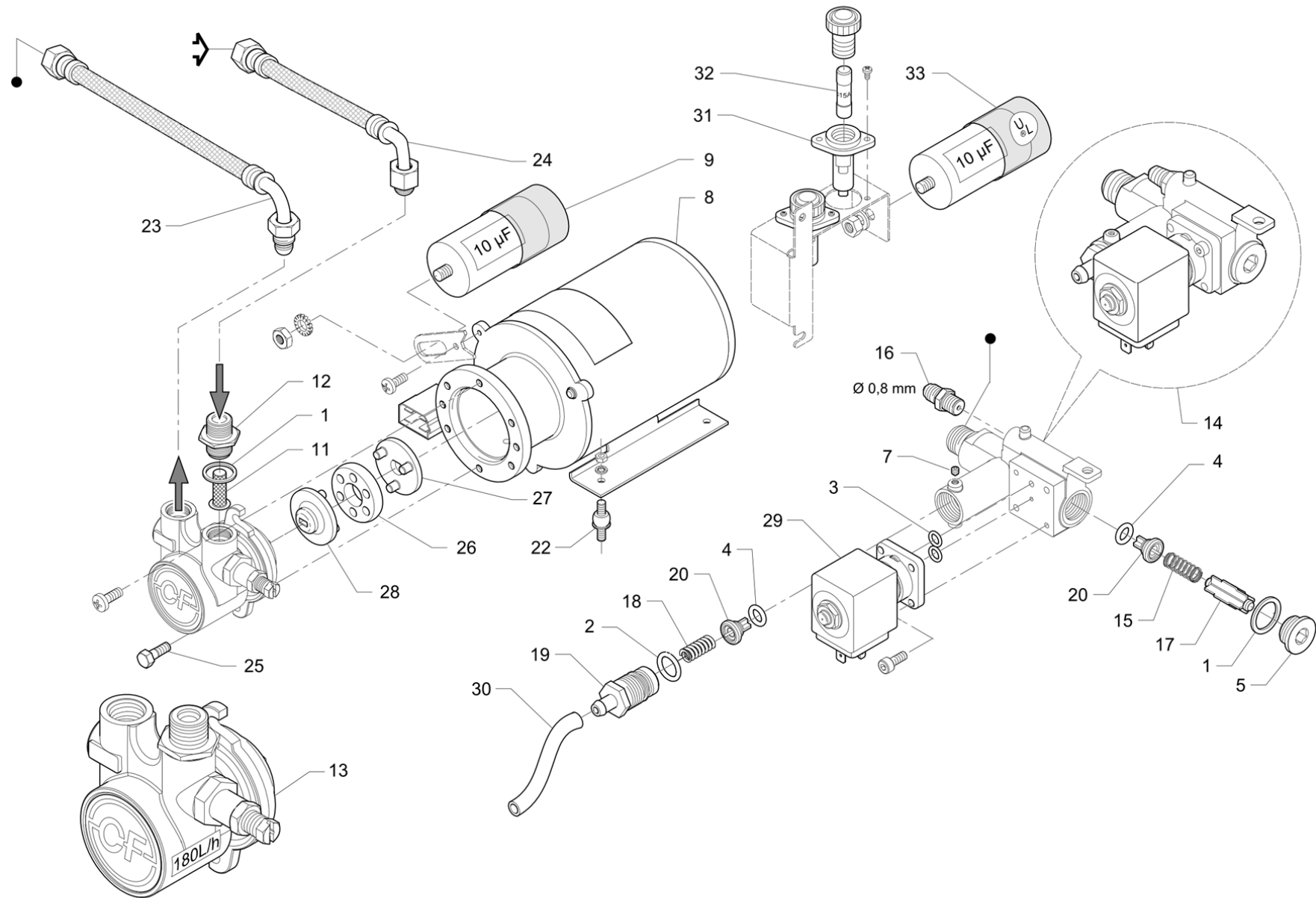
Pos	Part Number	Description	Validity	Notes
1	220000017	SILICONE PIPE D 10X15		
2	401214000	GASKET		
3	401250010	GASKET § 17,9X14,2X1,5		
4	401194010	GASKET BOILER FLANGE		
5	418941010	ANTI-UNDERTOW VALVE ASS.		
6	531194720	SFTY. THERMOSTAT		
7	532392500	SAFETY VALVE 1,9 1/4G		
7	532392700	SAFETY VALVE 2,3 1/4G		
8	532601000	HOSE ADAPTOR		
9	532715310	STAINLESS STEEL CLAMP 730x7.96x0.28MM		
10	532746200	CABLE TIE-RAPS WITH SCREW		
11	594537010	BLIND NIPPLE 1/4 GAS ST. STEEL		
12	911377008	1/4-1/8 UNION		
13	923553018	HEATING ELEMENT 120V/1500W NF	N:NSF	
13	978563000F	RESISTOR 220V 2700W L=202		
13	978562000F	RESISTOR 220V 5400W L=390		
13	978562008F	RESISTOR WITH RUVECO 220V 5400W L=390	N:NSF	
14	958202000	PROTECTION HEATING ELEMENT		
15	966492000	SAFETY VALVE PROTECTION		
	≠ 958219000	SAFETY VALVE PROTECTION		
16	959714000	COMPLETE LEVEL PROBE		
17	978515010F	BOILER ASSEMBLY - 1 GROUP		
17	978501000F	2GR BOILER ASSEMBLY		
17	978550000F	BOILER ASSEMBLY - 3 GROUPS		
17	978515008F	BOILER WITH RUVECO - 1 GROUP	N:NSF	
17	978501008F	BOILER WITH RUVECO - 2 GROUPS	N:NSF	
17	978550008F	BOILER WITH RUVECO - 3 GROUPS	N:NSF	



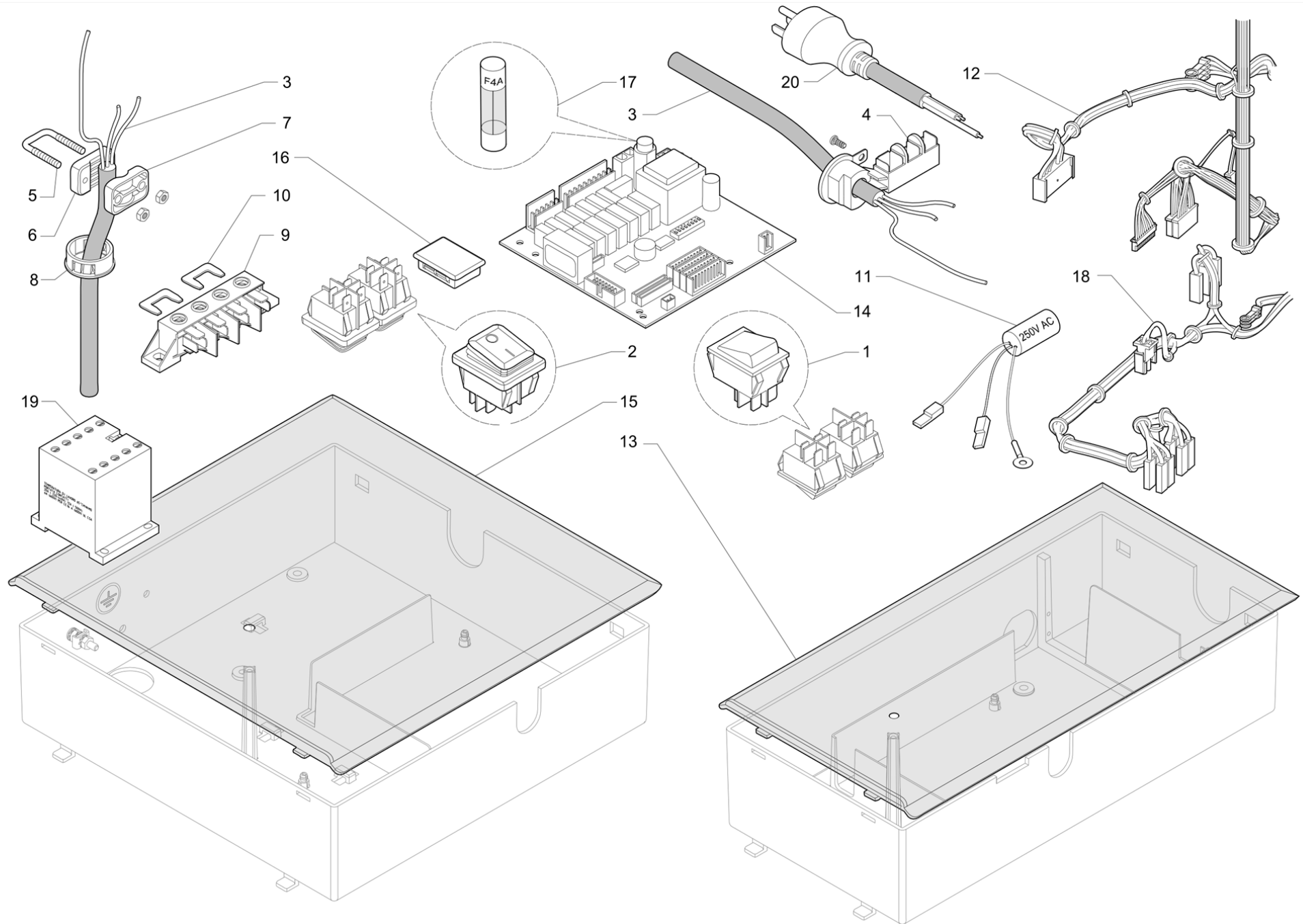
Pos	Part Number	Description	Validity	Notes
1	400274020	GASKET TAP		
2	401183010	GASKET 22X17X1,5		
3	401204000	GASKET		
3	402209000	O-RING GASKET 10,82X1,78 NF	N:NSF	
4	402210000	O-RING GASKET 6,75 X 1,78 NF		
5	402219000	O-RING 10,78X2,62 NF		
6	402223000	O-RING 7,65X1,78		
7	485061010	STAIN LESS STEEL SPRING		
8	485078010	GASKET		
9	532305000	FILTER		
10	568101000	RING SEEGER		
11	590715000	WASHER 22,15 X 1,2		
12	590791010	SCREW		
13	913255000	LONG WATER WAND		
14	913438000	STEAM NOZZLE		
15	927132010	MANIFOLD		
16	973700000	WATER-STEAM KNOB ASSEMBLY		
17	978099000	H15 STEAM KNOB SPACER		
18	402320000F	21X15X2 NSF SEAL		
19	485910020F	TAP ROD ASSEMBLY AUTO		
20	920739040F	JET BREAKER		
21	958572020F	TAP BODY ASSEMBLY		
21	457573010F	NSF STEAM TAP BODY ASSEMBLY	M:US	
22	978512000F	STRAIGHT WATER TAP ASSEMBLY		
22	978566000F	WATER TAP NSF	N:NSF	
23	978732000F	STEAM TUBE ASSEMBLY WITH BULBS 3 HOLES 1		



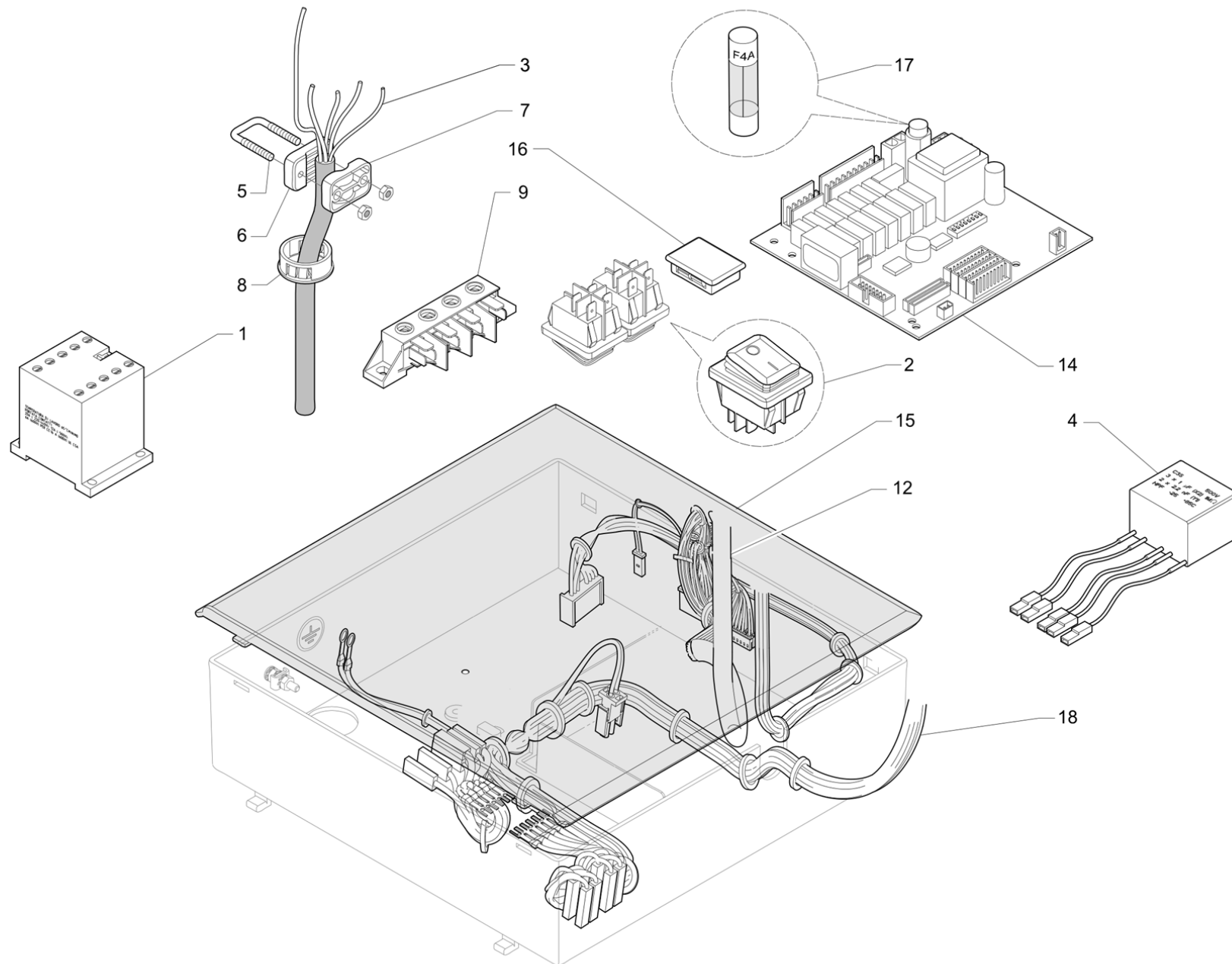
Pos	Part Number	Description	Validity	Notes
1	220000016	SILICONE PIPE D 6X10		
2	401214000	GASKET		
3	402198000	GASKET		
4	402199010	GROUP GASKET		
5	457062000	BRUSH		
6	457341008	DISC FOR GROUP		
6	457388008F	NSF DISPENSER GROUP DISC	N:NSF	
7	457342000	WATER DISTRIBUTER GROUP IN BRASS		
8	457343000	PLUG		
9	457560000	SHOWER GROUP		
10	532704200	DOUBLE CABLE TIE-RAPS		
11	903997000	§ 0,8 JET ASSEMBLY		
12	937055000	1/8 RUBBER HOLDER CONNECTOR		
13	457424008F	GRUPPO CAFFE' C/DISCO EROG. RUV.		
	⇒ 958078028	RUVECO COFFEE GROUP		
13	457405008F	NSF COFFEE GROUP	N:NSF	
14	4001051934	SCREW M 4 X 10		
15	4701116694	GASKET		
16	4771116081	FILTER SCREEN VALVE BLOCK		
17	533894600R	SOLENOID VALVE		
17	533893200R	SOLENOID VALVE 120/60 NF	N:UL	
17	533892500R	SOLENOID VALVE	N:UL	
18	978013000F	1/4 GAS NIPPLE X 3/8 GAS HOLE Ø 3.5		
19	978014000F	1/4 GAS NIPPLE X 3/8 GAS HOLE Ø 2.5 SHOR		
20	978015010F	NIPPLE 1/4 x3/8		
	⇒ 978015000F	1/4 GAS NIPPLE X 3/8 GAS HOLE Ø 3.5 SHOR		



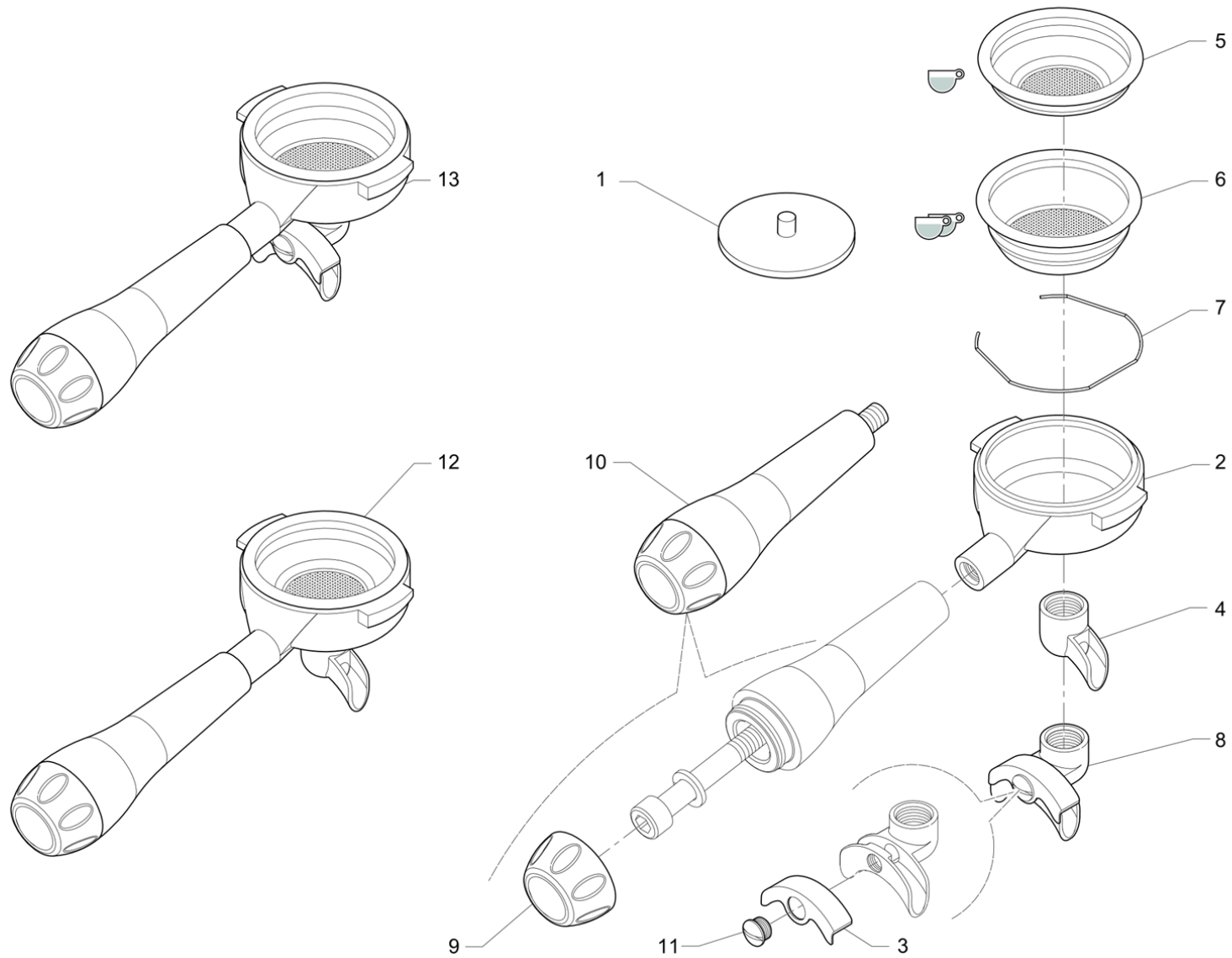
Pos	Part Number	Description	Validity	Notes
1	401183010	GASKET 22X17X1,5		
2	401190000	O-RING 12,37X2,62 EPDM		
3	402198000	GASKET		
4	402314000	OR 7.59x2.62 EPDM 75.5		
5	457347010	3/8 GAS EXAGONAL INOX CAP		
7	512904050	S.S. M4X5 SCREW		
8	530298120	PUMP 220/50 HORIZ. MOTOR		
8	530299720	POMP MOTOR UL	N:UL	
8	530299600	PUMP 220/50 HORIZ. MOTOR UL	N:UL	
9	531492400	CAPACITOR 10MF		
9	531494700	CONDENSER 10 uF	N:KTL	
11	533100400	INSIDE FILTER		
12	533100600	JOINT 3/8X3/8		
13	533180010	180 L/h VOLUMETRIC PUMP INOX W/FILTER		
14	945741030	VALVE GROUP 220-240V 50-60Hz		
14	978951000	VALVE GROUP NSF 120V 60 Hz	N:UL	
14	978952000	VALVE GROUP NSF 208V 60 Hz	N:UL	
15	958071000	SPRING FOR VALVE		
16	958072020	NIPPLE 1/8 X 1/8 NOZZLE 0.8		
	≅ 958072010	NIPPLE 1/8X1/8		
17	958073000	SPACER		
18	958075010	SPRING FOR VALVE		
19	958076000	ADJUST. SCREW		
20	958231000	MINI-VALVE		
22	4741133394	RUBBER ANTIVIBRATION		
23	3951117886	COMPREHENSIVE PIPE		
23	532304400	VALVE BLOCK-PUMP TUBE NF	N:NSF	
24	3951130515	PIPE 3/8X 3/8 120øMM 2200		
24	532304300	PIPE 3/8 NF	N:NSF	
25	4004136622	SCREW M6		
26	4081021923	RING		
27	4821023082	MOTOR JOINT		
28	4821108987	PUMP JOINT		
29	533898300R	SOLENOID VALVE 2 WAY 220/240 V 50HZ		
29	533898800	SOLENOID VALVE 110-120 60 HZ RUVECO	N:UL	
29	533895600R	SOLENOID VALVE 2R 220-240/60 NF	N:UL	
30	220000016	SILICONE PIPE D 6X10		
31	530111000	FUSE HOLDER	N:UL	
32	530112200	FUSE CC15 A	N:UL	
33	531492900	CAPACITOR 10mF	N:UL	



Pos	Part Number	Description	Validity	Notes
1	532009600	MAIN SWITCH		
2	532024500	SWITCH		
3	530112100	SUPPLY WIRE		
3	530113010	WIRE AWG 10/3 UL	N:UL	
3	530119100	SUPPLY CABLE 3x1.5 L1830mm	N:KTL	
4	532130608	CABLE FASTENER CLAMP		
5	532160200	FORK		
6	532160300	FIXED CABLE PRESS		
7	532160400	MOBILE CABLE PRESS		
8	532160500	MEMBRANE CABLE LAY		
9	532161500	TERMINAL BOARD		
10	532163000	JUMPER		
11	535877000	SINGLE-PHASE C FILTER WITH FAST-ON		
12	535935000	SINGLE-PHASE LOW-VOLTAGE WIRING		
13	958057010	ELECTRIC BOX COVER		
14	958889000	ELECTRONIC BOARD		
14	959713000	CPU BASE BOARD 120 V	T:110V	
15	978019000	ELECTRIC BOX COVER		
16	978024000	SWITCH CAP		
17	3501117396	FUSE 5X20 4A		
18	535936000	SINGLE-PHASE HIGH-VOLTAGE WIRING		
19	531503520	CONTACTOR 4P 220/240V		
20	530119700	POWER SUPPLY CABLE	N:UL	
	⇌ 530119200	3X14AWG SUPPLY CABLE WITH PLUG	N:UL	



Pos	Part Number	Description	Validity	Notes
1	531503520	CONTACTOR 4P 220/240V		
2	532024500	SWITCH		
3	421214000	WIRE		
4	535668000	3 PHASE FILTER C		
5	532160200	FORK		
6	532160300	FIXED CABLE PRESS		
7	532160400	MOBILE CABLE PRESS		
8	532160500	MEMBRANE CABLE LAY		
9	532161500	TERMINAL BOARD		
12	535938000	THREE-PHASE LOW VOLTAGE WIRING		
14	958889000	ELECTRONIC BOARD		
15	978019000	ELECTRIC BOX COVER		
16	978024000	SWITCH CAP		
17	3501117396	FUSE 5X20 4A		
18	535937010	THREE-PHASE HIGH VOLTAGE WIRING		
	⇌ 535937000	THREE-PHASE HIGH VOLTAGE WIRING		



Pos	Part Number	Description	Validity	Notes
1	457058000	DISK CLEANINF GROUP		
2	457355017	FILTERHOLDER BODY		
2	457395007F	NSF FILTER HOLDER BODY	N:UL	
3	457357007	SPOUT COVER		
4	457358017	1 WAY SPOUT		
5	457367000	1-CUP FILTER LOW		
6	457369000	2-CUP FILTER		
7	457874000	SPRING FOR LOCKING THE COFFEE FILTER		
8	457895020	SPOUT DOUBLE SHORT		
9	957181000	FILTER-HOLDER KNOB CAP CASADIO		
10	957821000	FILTER-HOLDER GRIP QUINDICI		
11	4142011678	SPOUT HOLE CLOSING PLUG		
12	958577070F	1-WAY FILTER-HOLDER		
12	957783010F	1-WAY NSF (E) FILTER HOLDER	N:UL	
13	958578070F	2-WAY FILTER-HOLDER		
13	957782010F	2-WAY NSF (E) FILTER HOLDER	N:UL	

Pos	Part Number	Description	Validity	Notes
-	978513010	COFFEE SELECTION GROUP		
-	978732000F	STEAM TUBE ASSEMBLY WITH BULBS 3 HOLES 1		
-	978057000	GRILLE FOR DIECI CUP-WARMER PLATE		
-	978082000	GRILLE FOR CUP-WARMER PLATE DIECI 1GR		
-	978121000	CUP-WARMER PLATE GRILLE - 3 GROUPS		
-	978527000	COFFEE SELECTION GROUP SEMI-AUTOMATIC		
-	978562000F	RESISTOR 220V 5400W L=390		

